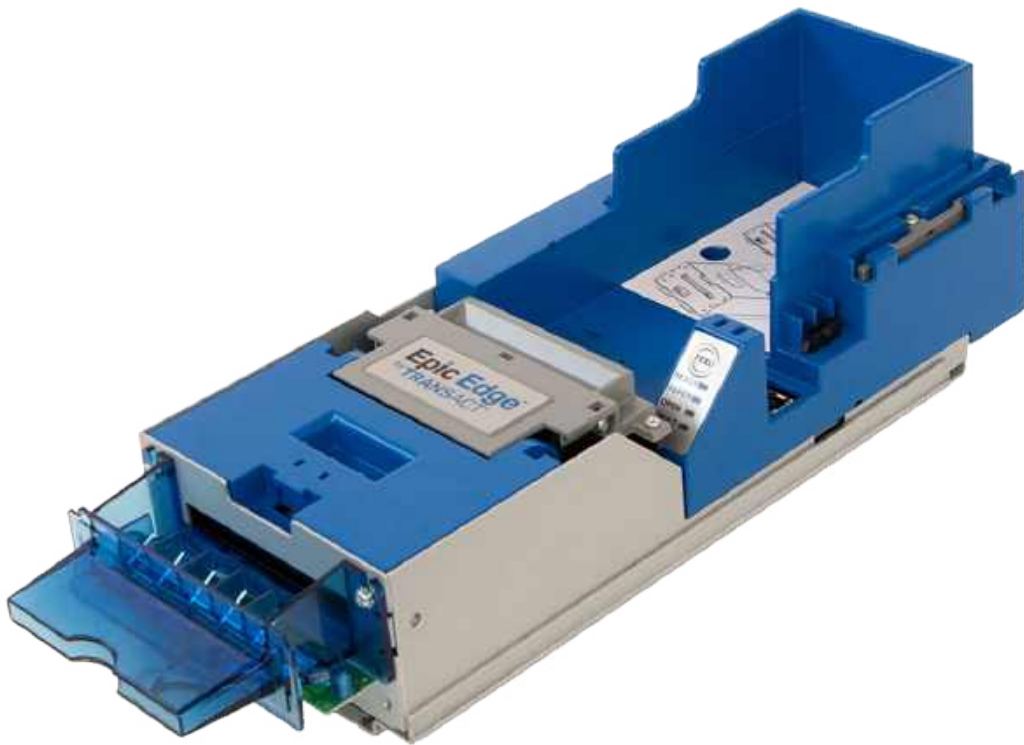


# Epic EDGE

## Spare Parts Guide

P/N 95-19336



For online parts orders visit [www.compodis.com](http://www.compodis.com)



**Revision History**

Version	Date	Summary of Changes	Author
A	April 2022	Initial release	K. Keith

**Contact Information**

TransAct Technologies Incorporated  
 Ithaca Facility  
 20 Bomax Drive  
 Ithaca, NY 14850 USA

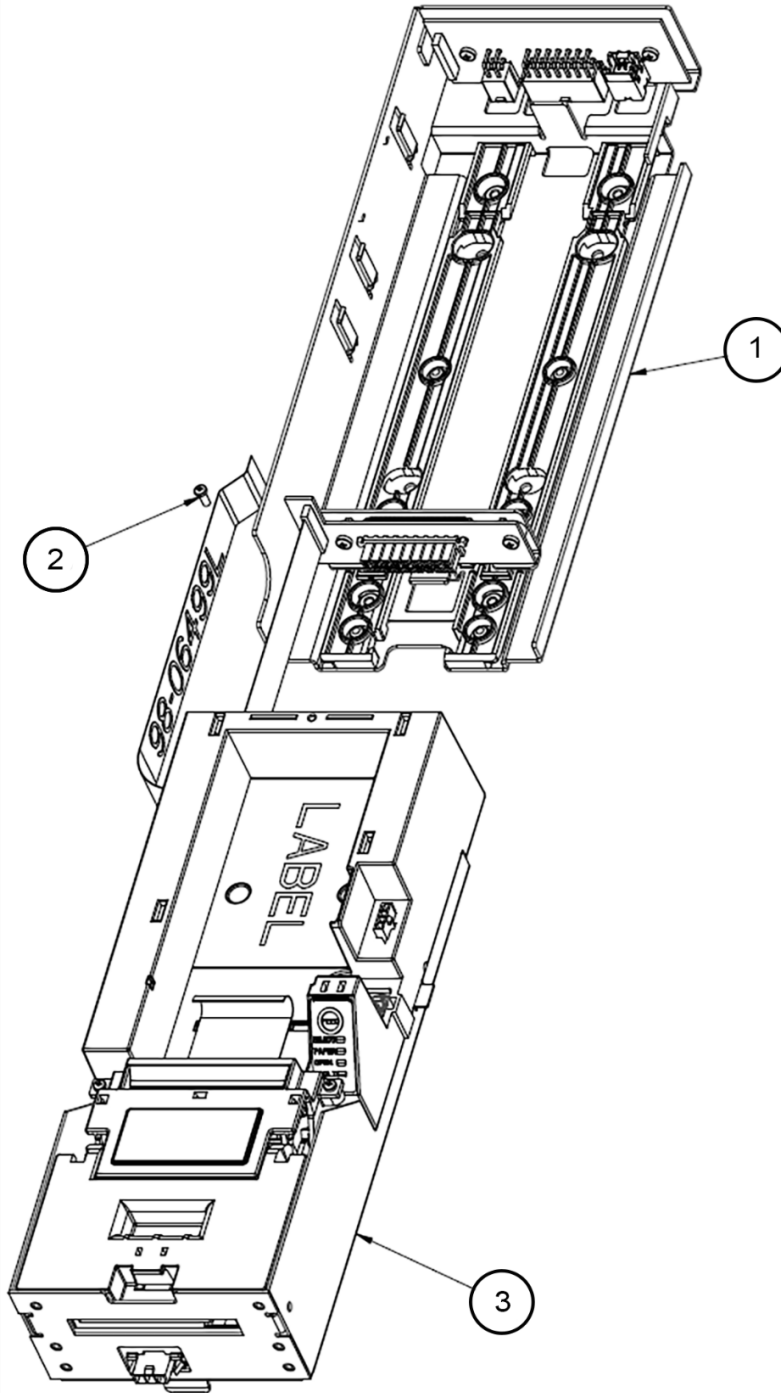
TransAct Technologies  
 World Gaming Headquarters  
 & Western Regional Repair Center  
 6700 Paradise Road  
 Suite D  
 Las Vegas, NV 89119 USA

Telephone: 877-748-4222  
 International: +1-607-257-8901  
 Main fax: 607-257-3911  
 Sales fax: 607.257.3868  
 Technical  
 Support fax: 607.257.3911  
 Web site: [www.transact-tech.com](http://www.transact-tech.com)

# 1 Parts Lists

## 1.1 EPIC EDGE PRINTER 95-15286

See Table 1 for the parts for 95-15286.



**Figure 1 EPIC EDGE PRINTER 95-15286**

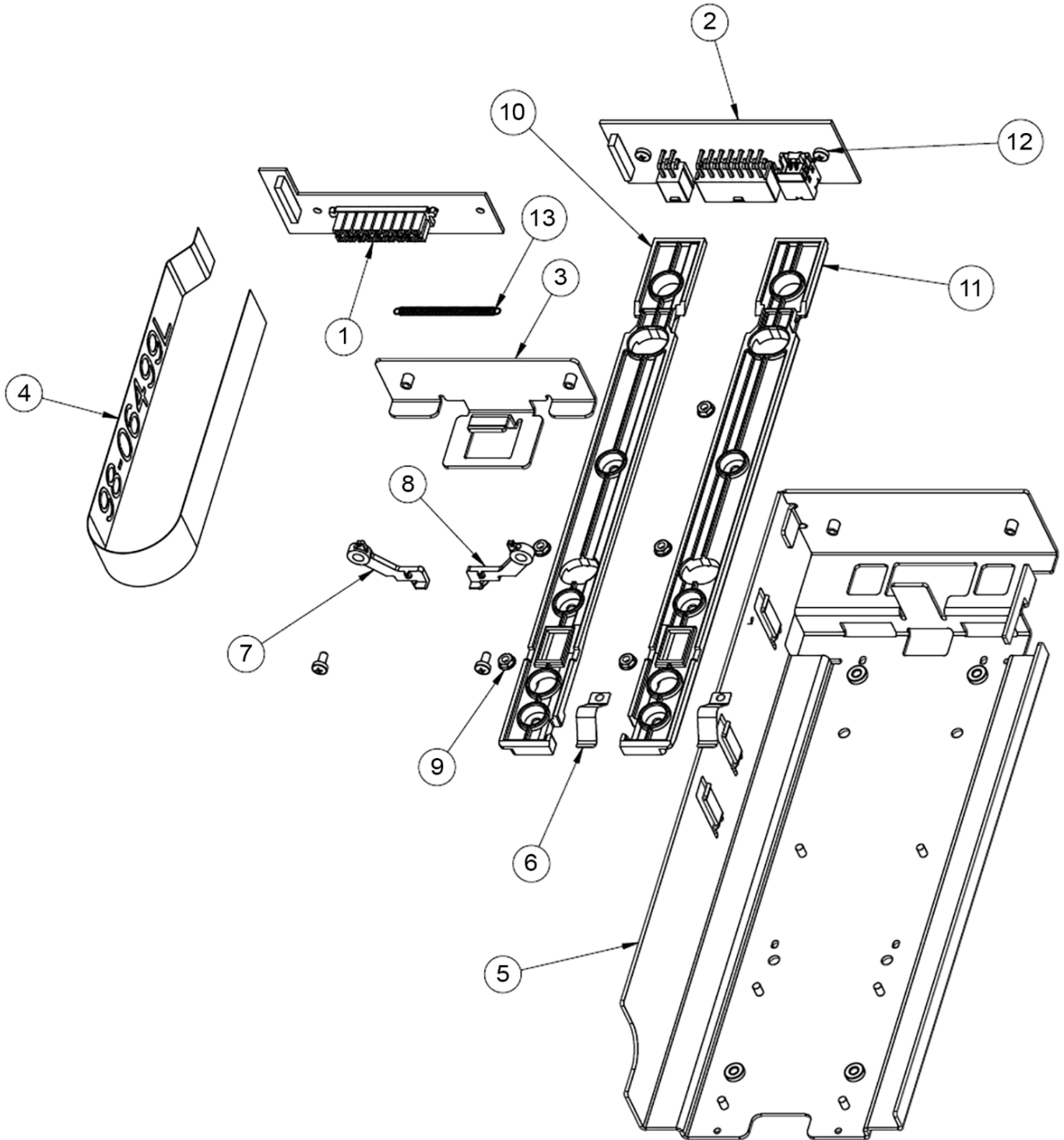
**Table 1 EPIC EDGE PRINTER 95-15286 PARTS LIST**

ITEM	QTY	PART NUMBER	DESCRIPTION
1	1	95-15201	LOWER SLIDE ASSEMBLY
2	1	98-7608	SCREW-#4 PLASTIC THREAD FORMING
3	1	95- 15202	UPPER SLIDE ASSEMBLY

**For online parts orders visit [www.compodis.com](http://www.compodis.com)**

## 1.2 LOWER SLIDE ASSEMBLY 95-15201

See Table 2 for the parts for 95-15201.



**Figure 2 LOWER SLIDE ASSEMBLY 95-15201**

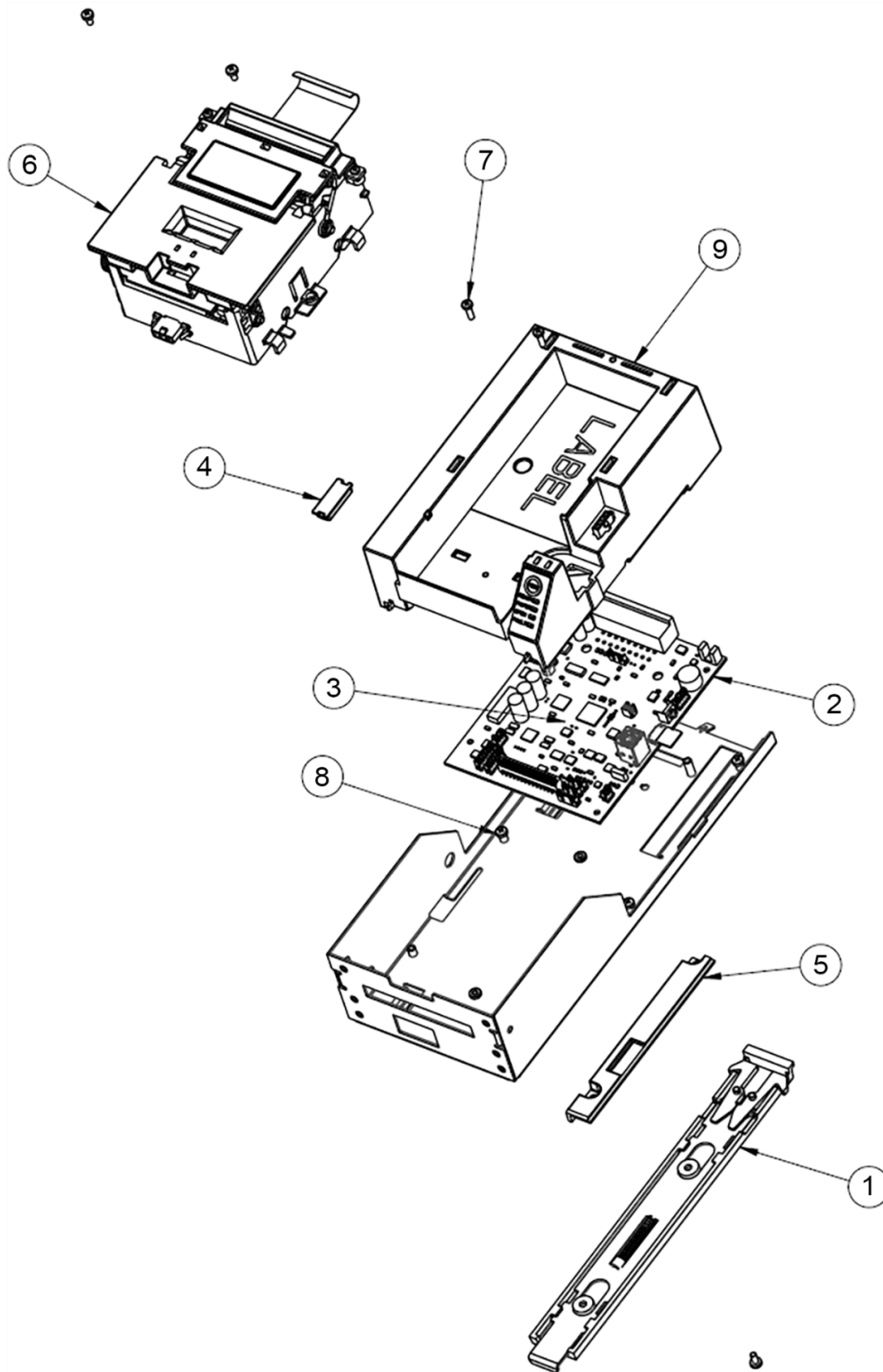
**Table 2 LOWER SLIDE ASSEMBLY 95-15201 PARTS LIST**

ITEM	QTY	PART NUMBER	DESCRIPTION
1	1	95-14466L	ASSY-CONNECTOR BOARD (EPIC EDGE)
2	1	95-16984	ASSY-EDGE INTERFACE BOARD
3	1	18-09516	ASSY-INTERMEDIATE SLIDE
4	1	98-06499L	CABLE-FLEX 1 mm 20 CONDUCTOR
5	1	95-10890	CHASSIS-OUTER
6	2	95-04879	GROUND-EPIC 950 OUTER
7	1	18-09519	LATCH-SLIDER (LEFT)
8	1	18-09518	LATCH-SLIDER (RIGHT)
9	6	98-0621	NUT-M3 HEX W/LOCKWASHER
10	1	95-15191	RAIL-SLIDE (LEFT)
11	1	95-15190	RAIL-SLIDE (RIGHT)
12	4	98-0611	SCREW-M3 x 6 MM PHD PHPS
13	1	95-15196	SPRING-EXTENSION (L/R LATCH ARMS)

**For online parts orders visit [www.compodis.com](http://www.compodis.com)**

### 1.3 UPPER SLIDE ASSEMBLY 95-15202

See Table 3 for the parts for 95-15202.



**Figure 3 UPPER SLIDE ASSEMBLY 95-15202**

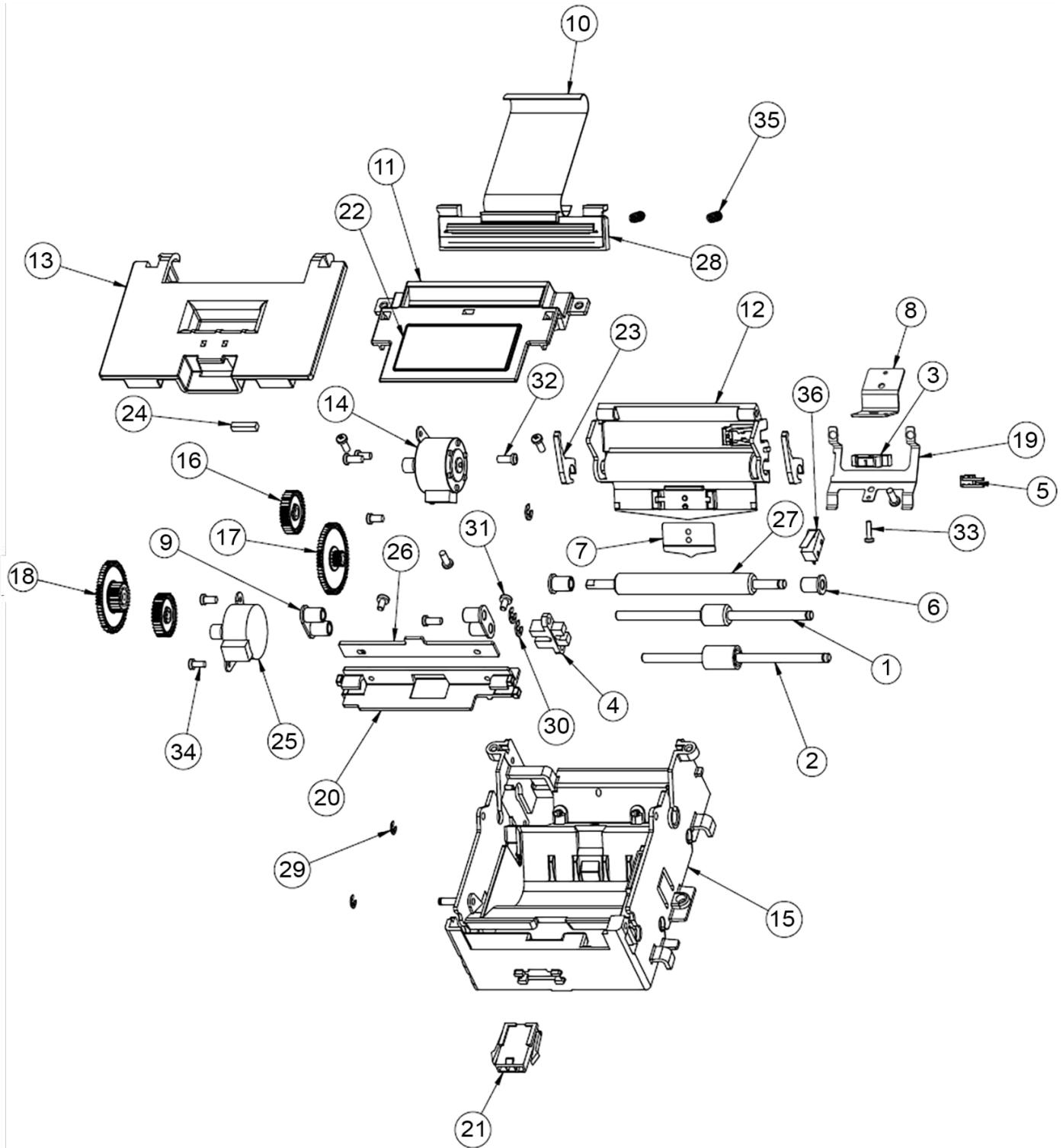
**Table 3 UPPER SLIDE ASSEMBLY 95-15202 PARTS LIST**

ITEM	QTY	PART NUMBER	DESCRIPTION
1	1	95-15194	ASSEMBLY-RELEASE
2	1	95-14592L	ASSY-CONTROL BOARD EPIC EDGE
3	1	95-04885	CHASSIS-INNER
4	1	95-06695	COVER-DIP SWITCH
5	1	95-04863	COVER-EPIC 950 PCB
6	1	95-15203	PRINT MECHANISM ASSEMBLY
7	2	98-2016	SCREW-M3x10MM PHD PHPS
8	8	98-0611	SCREW-M3x6MM PHD PHPS
9	1	95-16351	TICKET BUCKET ASSY (BLK)

**For online parts orders visit [www.compodis.com](http://www.compodis.com)**

### 1.4 PRINT MECHANISM ASSEMBLY 95-15203

See Table 4 for the parts for 95-15203.



**Figure 4 PRINT MECHANISM ASSEMBLY 95-15203**

**Table 4 PRINT MECHANISM ASSEMBLY 95-15203 PARTS LIST**

ITEM	QTY	PART NUMBER	DESCRIPTION
1	1	95-04904	ASSY-EPIC 950 DRIVE SHAFT
2	1	95-04914	ASSY-EPIC 950 IDLER ROLLER
3	1	95-05150L	ASSY-M950 BURST SENSOR
4	1	95-05152L	ASSY-PAPER OUT SENSOR
5	1	95-05473L	ASSY-TOP OF FORM SENSOR
6	2	95-04963	BEARING-PLATEN
7	1	95-04972	BRACKET-BURSTER
8	1	95-04911	BRACKET-EPIC 950 BURST SENSOR
9	2	95-17864	BUSHING-DOUBLE
10	1	28-04036L	CABLE-FLAT FLEXIBLE
11	1	95-15192	COVER-ENTRANCE
12	1	95-04979	COVER-PLATEN
13	1	95-05924	COVER-TICKET
14	1	95-14452L	FEED MOTOR-ASSY
15	1	95-14970	FRAME-ASSEMBLY
16	2	95-06326	GEAR-36 TOOTH
17	1	95-14943	GEAR-COMPOUND 12T-60T/48P
18	1	95-14953	GEAR-COMPOUND 24T-60T/48P
19	1	95-04985	GROUND-ESD
20	1	95-04965	GUIDE-EPIC 950 TICKET EXIT
21	1	95-05154L	HARNESS-M950 BEZEL
22	1	95-15174	LABEL-EPIC EDGE
23	2	95-05881	LEVER-PLATEN RELEASE
24	1	98-6473	MAGNET-BAR
25	1	98-04312	MOTOR-7.5 DEG 25MM STEPPER
26	1	95-04941	PLATE-EPIC 950 LATCH
27	1	95-04901	PLATEN-EPIC 950
28	1	95-14975	PRINthead ASSEMBLY
29	2	520-9800002	RETAINER-E RING .125 DIA
30	3	520-9800003	RETAINER-E RING .156 DIA
31	2	98-04997	SCREW-#4 PLASTIC THREAD FORMING
32	7	98-7608	SCREW-#4 PLASTIC THREAD FORMING
33	1	M068306-01	SCREW-M2 X 8 PHD PHPS
34	4	98-04991	SCREW-M2.6x5.6MM SEMS PHILLIPS PHD
35	2	M068279-01	SPRING-PRINthead COMPRESSION
36	1	95-05153	SWITCH ASSY-M950 (COVER)

**For online parts orders visit [www.compodis.com](http://www.compodis.com)**

### 1.5 TICKET BUCKET ASSY - (BLK) 95-16351

See Table 5 for the parts for 95-16351.

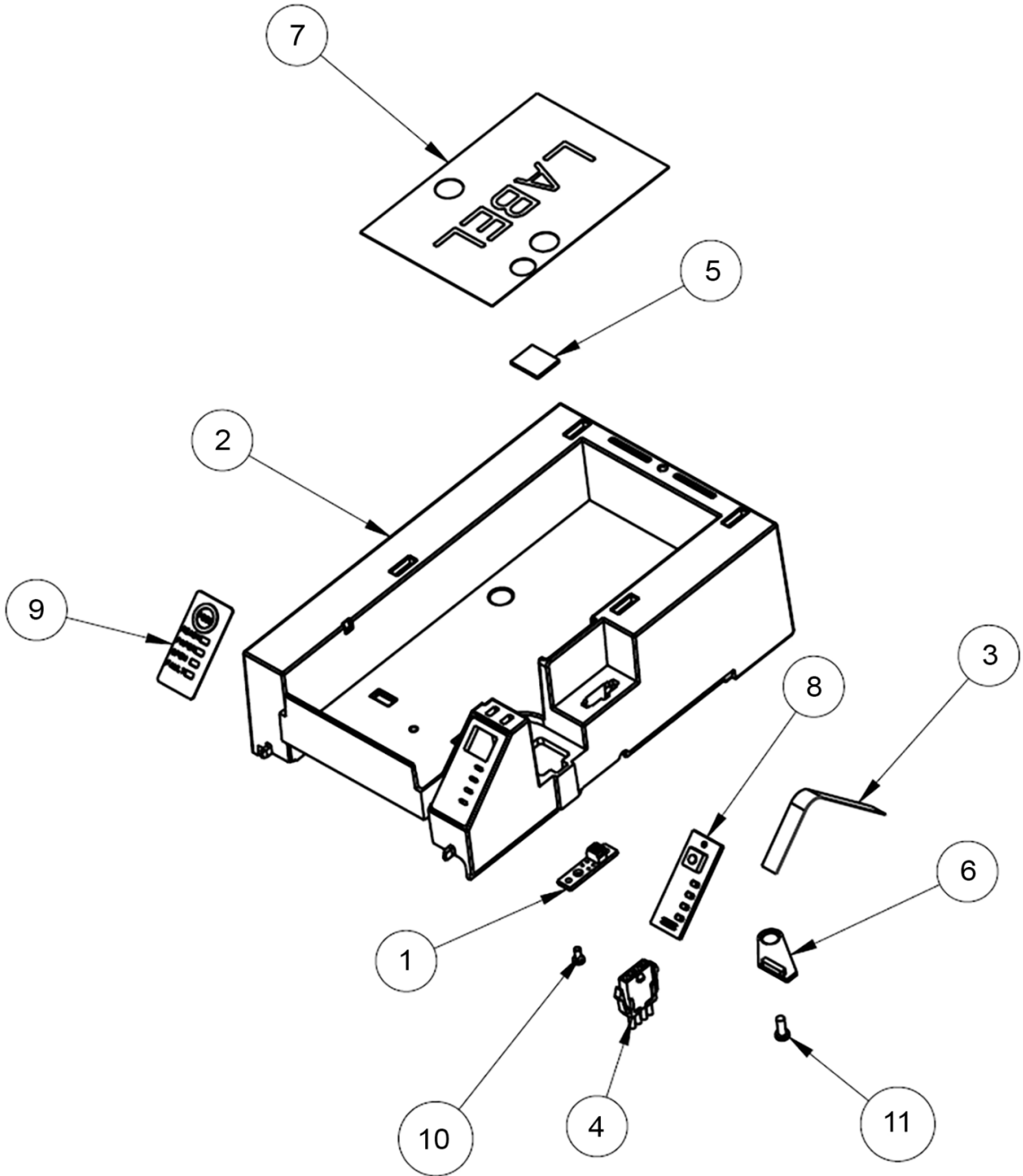


Figure 5 TICKET BUCKET ASSY - (BLK) 95-16351

**Table 5 TICKET BUCKET ASSY - (BLK) 95-16351 PARTS LIST**

ITEM	QTY	PART NUMBER	DESCRIPTION
1	1	95-14424L	ASSEMBLY-PAPER LOW SENSOR
2	1	95-18925	BUCKET-TICKET SUPPLY
3	1	98-05023L	CABLE-6 CONDUCTOR 1MM FLEX
4	1	95-14423L	CABLE-COUPON SERIAL PORT
5	1	95-14977	COVER-PAPER LOW SENSOR
6	1	95-06334	HOLDER-KEYPAD
7	1	95-15244	LABEL-PAPER LOAD
8	1	95-05015L	M950-KEYPAD PWA
9	1	95-04862	OVERLAY-EPIC 950 KEYPAD (SILVER)
10	1	98-09826	SCREW-#2 PLASTIC THREAD FORMING
11	1	98-7608	SCREW-#4 PLASTIC THREAD FORMING

**For online parts orders visit [www.compodis.com](http://www.compodis.com)**

## 2 Customer Support

Please contact TransAct Technical Support if you have any questions or require any additional information:

Visit [www.transact-tech.com](http://www.transact-tech.com)

Email us at [support@transact-tech.com](mailto:support@transact-tech.com)

Call:

USA: 1-877-748-4222

International: +1-607-257-8901

Monday–Friday 8am–8pm, Eastern Time

**For online parts orders visit [www.compodis.com](http://www.compodis.com)**