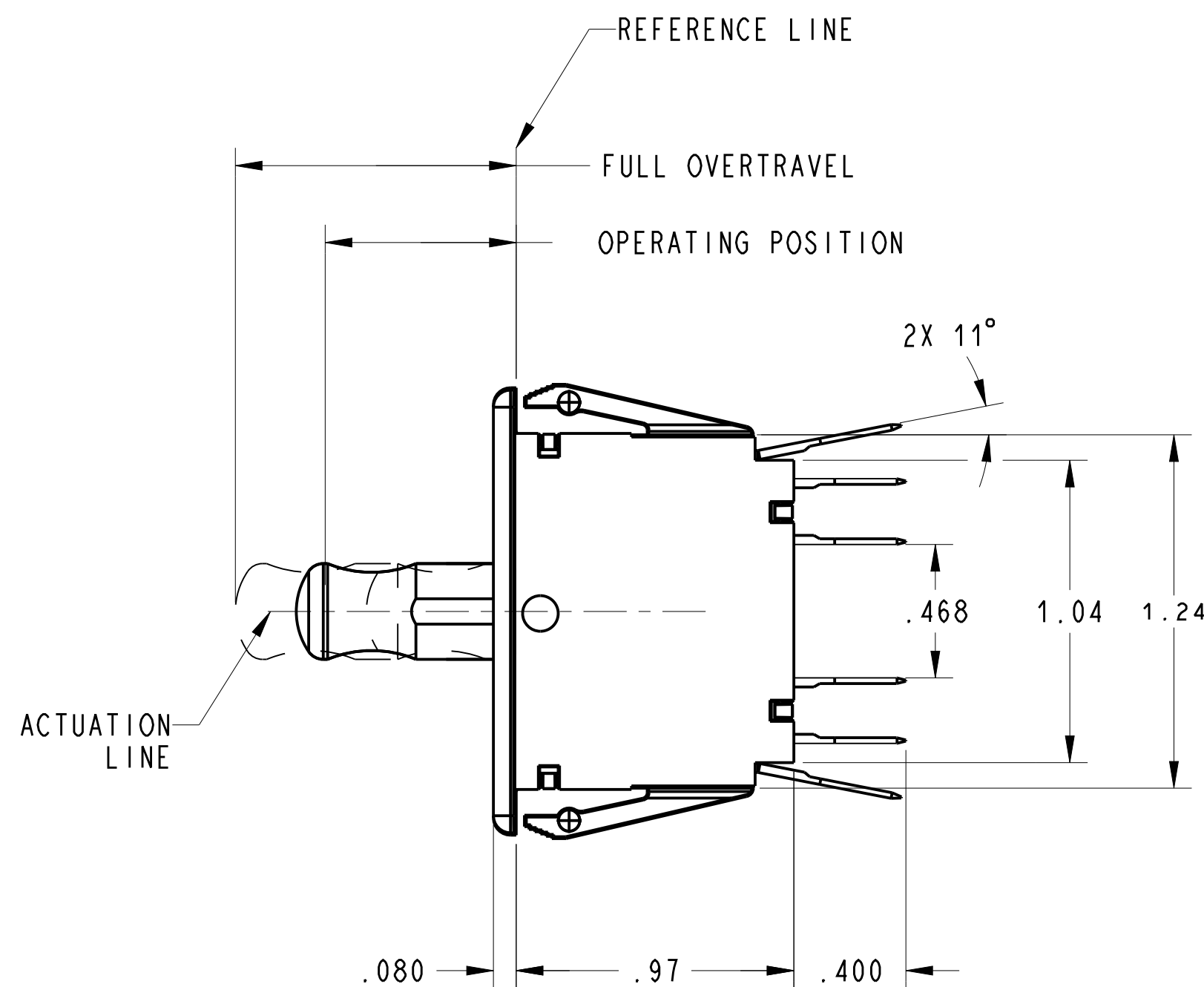
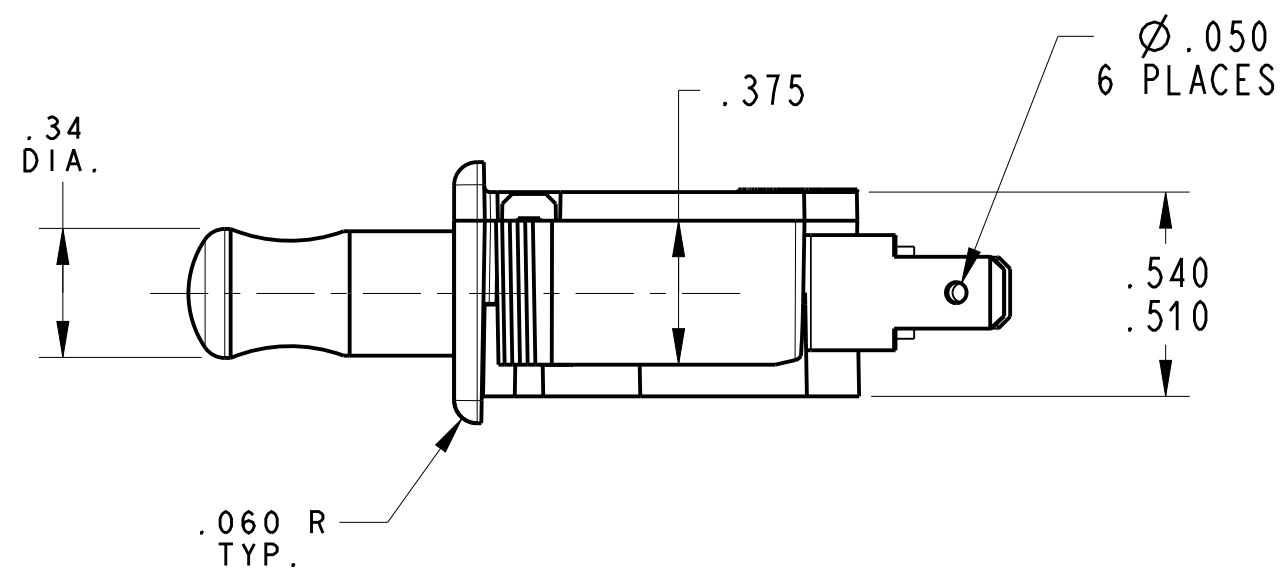
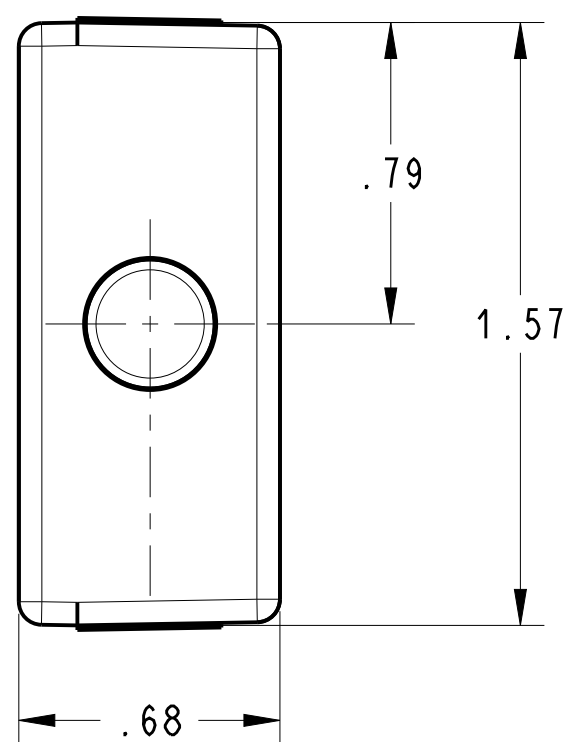


PANEL CUTOUT DETAIL
RECOMMENDED
PANEL THICKNESS
.045-.100



NOTES: (UNLESS OTHERWISE SPECIFIED)

1. SWITCH CHARACTERISTICS:

REST POSITION	.730 TO .790
OPERATION POSITION	.610 TO .710
PRETRAVEL	.125 MAX.
OVER-TRAVEL	.100 MIN.
MOVEMENT DIFF	.075 MAX.
OPERATING FORCE	grams 757 MAX.
RELEASE FORCE	grms 113 MIN.

BUTTON POSITION
AT FULL OVERTRAVEL .520 MAX.

CHEAT INTERLOCK CHARACTERISTICS:

OPERATING POSITION	.800 TO .900
PRETRAVEL	.155 MAX.
OVERTRAVEL	.030 MIN.
MOVE. DIFF.	.090 MAX.
OPER. FORCE	grams 800 MAX.

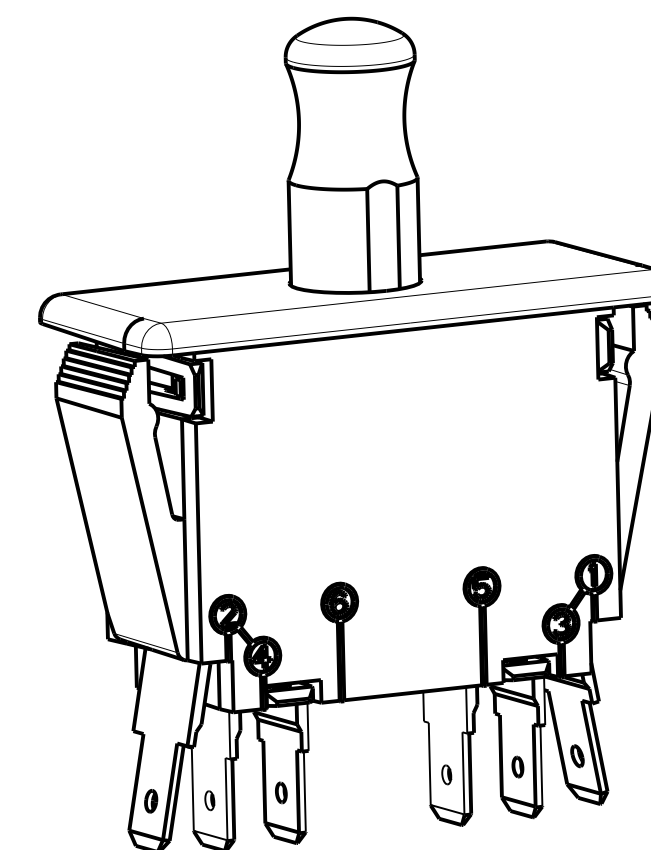
ALL CHARACTERISTICS ARE TAKEN AT THE ACTUATION LINE AND MEASURED FROM THE REFERENCE LINE.

2. **us** ELECTRICAL RATING:
0.1A, 125 VAC
0.1A, 30 VDC

3. TERMINALS:
ARE .187 WIDTH x .020 THICKNESS.
QUICK CONNECT.

4. RECOGNIZED TO U.S. AND CANADIAN
REQUIREMENTS UNDER THE COMPONENT
RECOGNITION PROGRAM OF UNDERWRITERS
LABORATORIES, INC

5. TEMPERATURE RATING: -40°C TO 85°C



DWN: HV	CONFIDENTIAL AND PROPRIETARY: ALL INFORMATION OR INVENTIONS CONTAINED IN THIS DOCUMENT OR DERIVED FROM THE INFORMATION THEREIN IS OWNED BY ZF ELECTRONIC SYSTEMS, AND IS CONFIDENTIAL AND PROPRIETARY. REVIEW OR POSSESSION OF THIS DOCUMENT INDICATES AGREEMENT THAT SUCH INFORMATION AND INVENTIONS WILL NOT BE DISCLOSED, REPRODUCED OR OTHERWISE USED IN ANY WAY WITHOUT EXPRESS WRITTEN PERMISSION FROM AN AUTHORIZED REPRESENTATIVE OF ZF ELECTRONIC SYSTEMS.	ZF Electronic Systems 11200 88th AVE. PLEASANT PRAIRIE, WI 53158 NAME / DESCRIPTION																			
APVD: RC																					
DATE: 05-Jul-05																					
THIRD ANGLE PROJECTION																					
<table border="1"> <thead> <tr> <th colspan="3">TOLERANCE UNLESS SPECIFIED</th> </tr> <tr> <th>DWG UNITS</th> <th>X.XX</th> <th>X.XXX</th> </tr> </thead> <tbody> <tr> <td>INCHES</td> <td>± 0.02</td> <td>± 0.015</td> </tr> </tbody> </table>		TOLERANCE UNLESS SPECIFIED			DWG UNITS	X.XX	X.XXX	INCHES	± 0.02	± 0.015	C ITEM NO. 0E78-30A0 SCALE: 2:1 SH 1 OF 1										
TOLERANCE UNLESS SPECIFIED																					
DWG UNITS	X.XX	X.XXX																			
INCHES	± 0.02	± 0.015																			
<table border="1"> <thead> <tr> <th>REV</th> <th>ECO NO.</th> <th>DATE</th> <th>PREP</th> <th>APVD</th> <th>PROJECT / CSR</th> </tr> </thead> <tbody> <tr> <td>F</td> <td>Z000375476</td> <td>10-Aug-16</td> <td>JPD</td> <td>ELL</td> <td>4000000138</td> </tr> </tbody> </table>	REV	ECO NO.	DATE	PREP	APVD	PROJECT / CSR	F	Z000375476	10-Aug-16	JPD	ELL	4000000138	<table border="1"> <thead> <tr> <th>UNIT</th> <th>XX</th> <th>XXX</th> <th>ANGLES</th> </tr> </thead> <tbody> <tr> <td>INCHES</td> <td>± 0.02</td> <td>± 0.015</td> <td>± 5.0 °</td> </tr> </tbody> </table>	UNIT	XX	XXX	ANGLES	INCHES	± 0.02	± 0.015	± 5.0 °
REV	ECO NO.	DATE	PREP	APVD	PROJECT / CSR																
F	Z000375476	10-Aug-16	JPD	ELL	4000000138																
UNIT	XX	XXX	ANGLES																		
INCHES	± 0.02	± 0.015	± 5.0 °																		

ORIGINAL ON PRO/E