

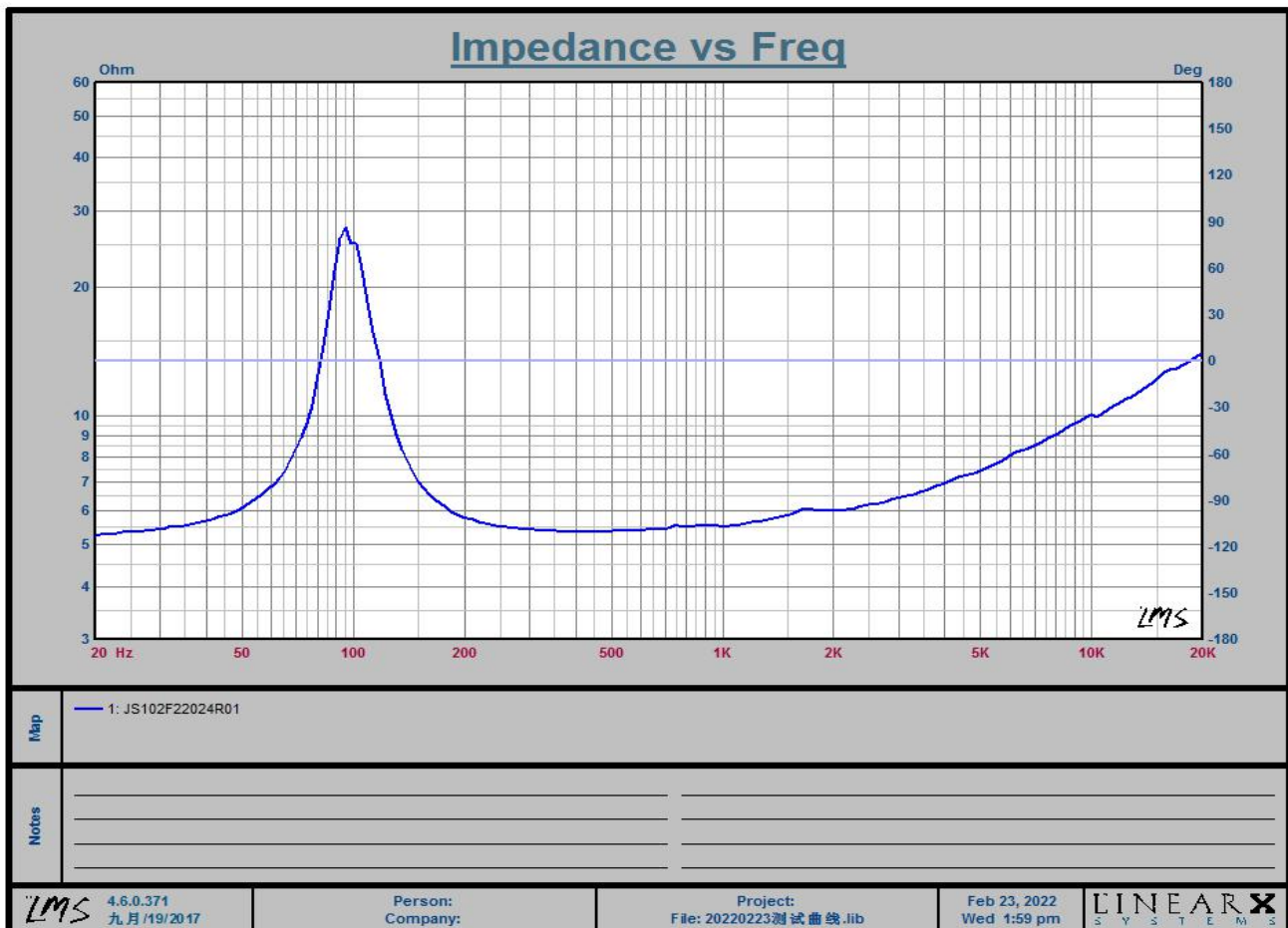
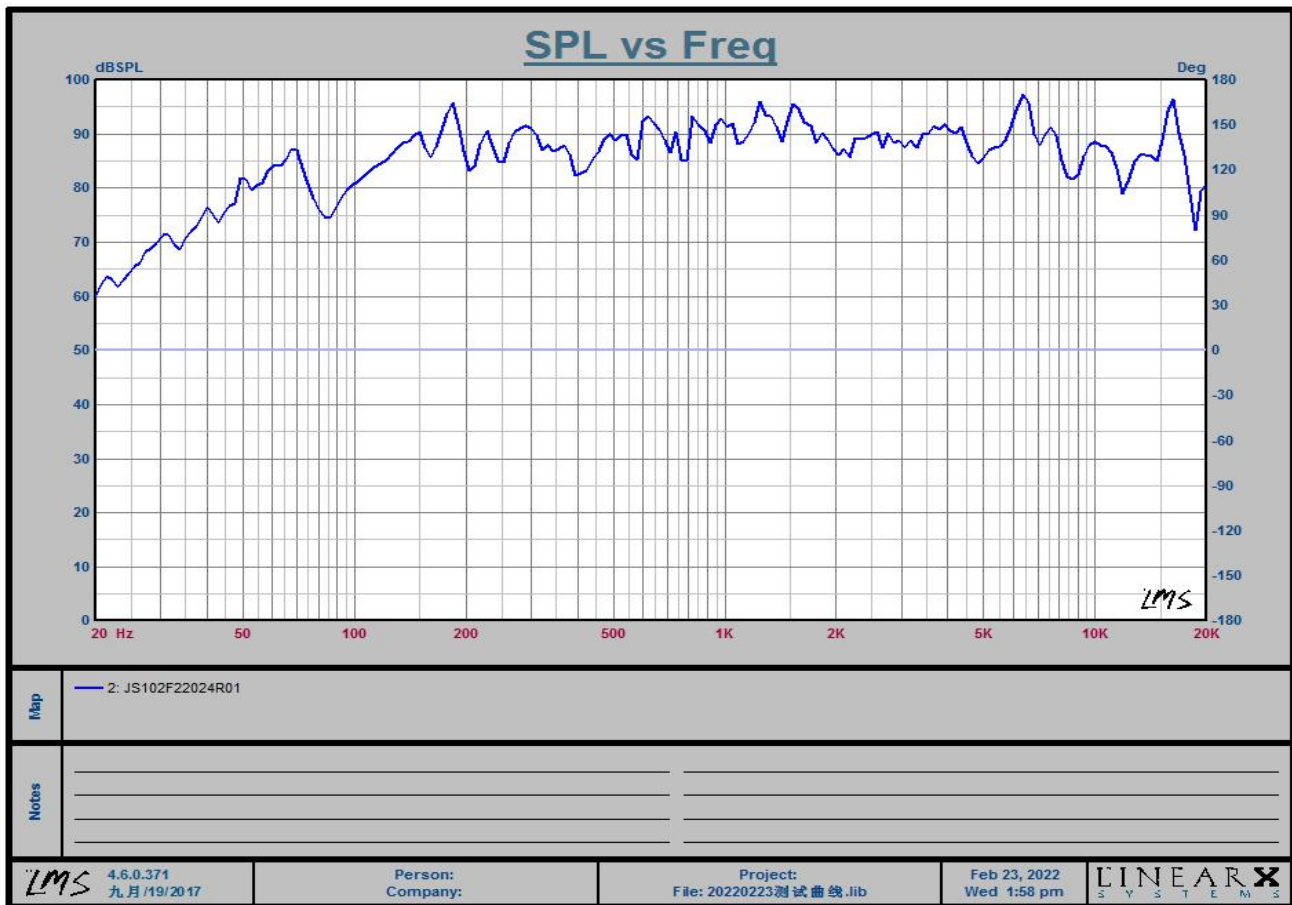
## Specification 18-0104-4

Size	102± 0.5 mm	Overall height	44±0.5mm
<b>RoHS</b>		<b>Total weight</b>	299±10 % g

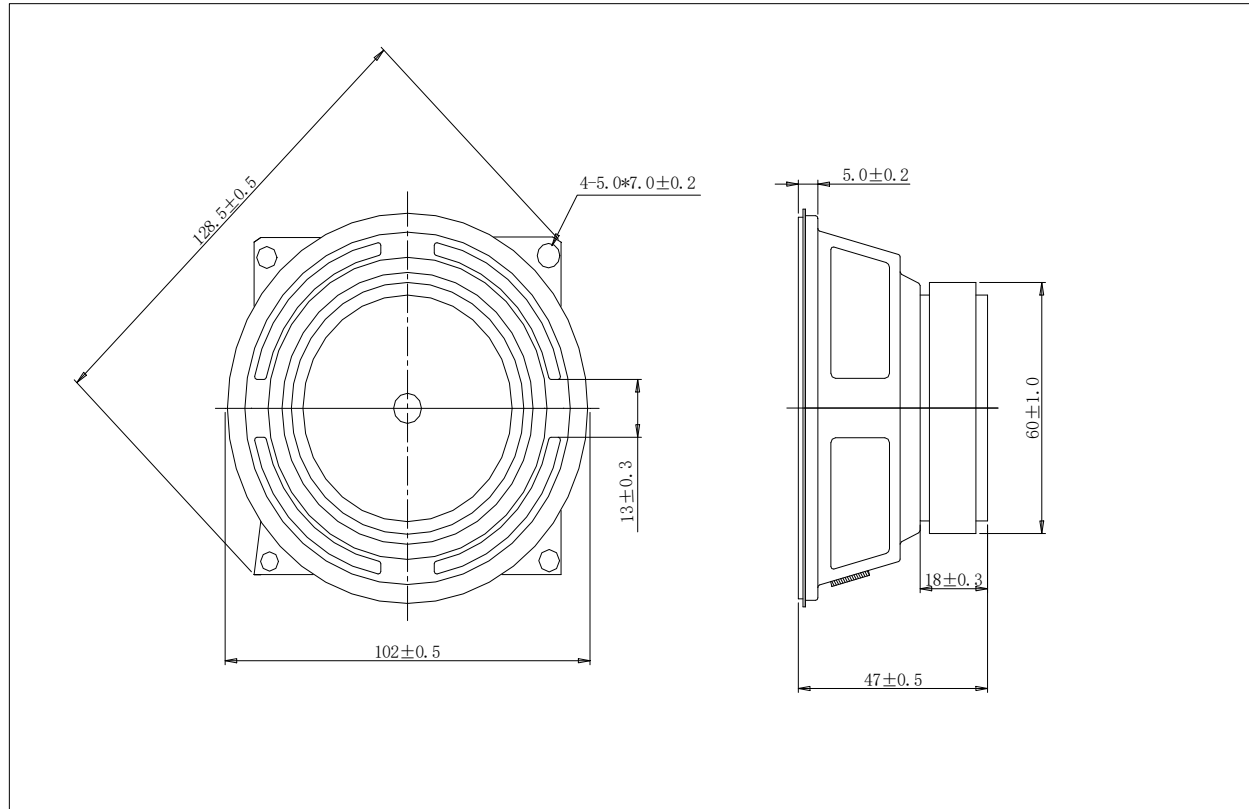
### characteristics

NO	ITEMS	SPECIFICATION	TESTINGCONDITIONS
1	Rated impedance	4.0 ± 15 % Ω	GB/T9396 Without a baffle At 800Hz.
2	(fo) Rated resonance frequency	95±20 % Hz	WITHOUT BAFFLE
3	Rated sound pressure level	88±3 dB	0.5M/0.5W
4	Rated frequency range	fo ~ 10 kHz	Refer to GB/T9396 SPL -10dB or less
5	Rated noise power	20W	Pink noise 90Hz~ 20K Hz
6	Rated long term maximum power	25W	GB/T9396-1996
7	Buzz and Rattles check	Fo ~ 4K Hz, Must be normal	SINE SINGLE 8.9V
8	Rated total harmonic distortion	≤7 % MAX	GB/T9396
9	Polarity	If the cone paper of speaker is obverse, terminal is in the lower, Positive in the right side.	GB/T9396-1996
10	Insulation resistance	≥ 1 MΩ	GB/T9397 100±10%V DC for 1 minute,Between the terminal and the exposed metallic part.
11	High-Temperature preservation test	After test Accord seventh	GB/T9396 Pink noise 20W, 96H
12	Low-Temperature Preservation test	After test Accord seventh	GB/T9397 -10±3 OC operatingfor 1h then depositing -25±3 OC for 2h, then resuming for 4h at normal atmosphere conditions.
13	Static Humidity/temperature test	After test Accord seventh	GB/T9397 At 40±2 OC and 93%R.H depositing for 96h, then resuming for 24h at normal atmosphere conditions.
14	Sliding shock test	After test Accord seventh	GB/T9397 The load speaker shall be dropped 1times from in length of 1M in a angle of 75 inclination.

# SPL & Impedance curve



# Mounting Sizes



Drawing Name	SPK	Model No.	JS102F22024R01	File No.		Edition	B/0	Date	2022-02-23
Approve:	Audit:		Drawing:	Sheet	1:1				
		Unit		mm					