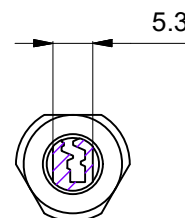
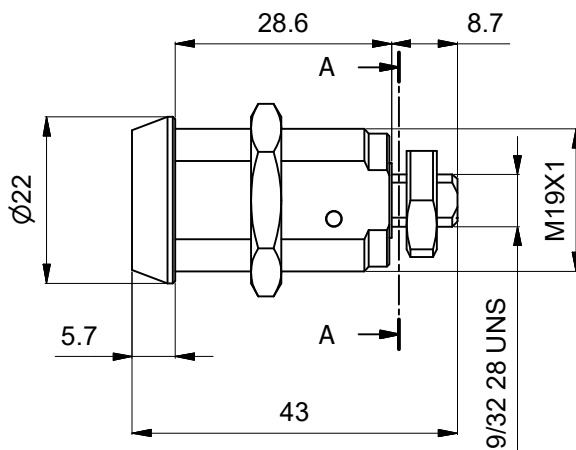
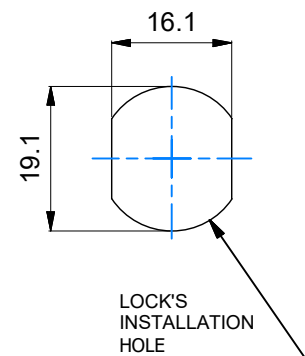
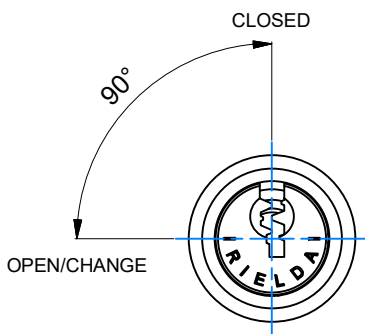


## Cam locks Series 400-500 Model 531 RS1

**Characteristics:**

- mechanical re-programmable lock
- made in brass
- external finish in nickel
- rotation 90° counter-clockwise
- resistant to opening with method "bumping"
- resistant to opening with picks - "picking"
- resistant to drilling



A-A