

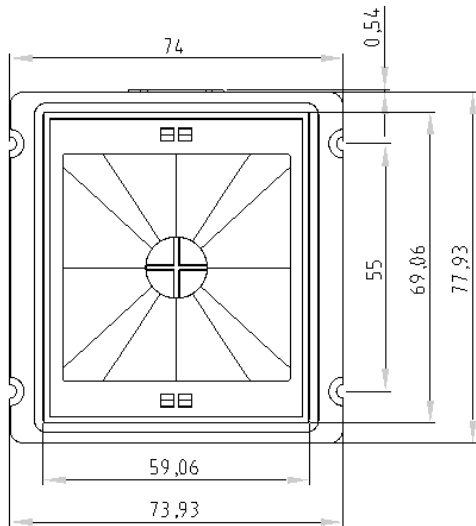
Acquisition Performance		
Model(s)	FS350-U (2D + USB) and FS350N-U (2D, USB + NFC)	
Sensor	Image Type, CMOS Sensor	
Acquisition Speed	1/120fps	
FOV	Diagonal 75°, Level 63°, Vertical 49°	
Reading Performance		
Precision	≥ 3.9 mil	
Depth of Field	Testing Condition	Depth of Field
	Code39 10b (4mil)	30~80mm
	PDF417-2 (80mm)	50~90mm
	DM 100bytes (15mil)	15~150mm
	QR 18bytes (on Screen)	20~250mm
Scan Angle	Roll 360°, Pitch ± 55°, Skew ± 55°	
Supported Symbologies	2D Code: QR,Data Matrix,PDF417,Aztec code,Han Xin Code,Dotcode etc. 1D Code: UPC-A, UPC-E, EAN-8, EAN-13, ISBN, Code 128, GS1 128, ISBT 128, Code 39, Code93,Code 11, Interleaved 2 of 5, Industrial 2 of 5,Matrix 25, Standard 25, Codabar, MSI/MSI PLESSEY, GS1 DataBar,etc.	
Print Contrast	20%	
LED		
Illumination	White LED 6500K	
NFC		
HF 13.56Mhz NFC Card Reading	Protocol: ISO/IEC 14443 A ISO/IEC 14443 B Card: MIFARE Classic (Can Read UID, Can Read and Write the Block) MIFARE Ultralight C (Can Read UID, Can Read the Page) MIFARE Desfire (Only support Reading UID, other functions need customization) FELICA (Only support Reading UID, other functions need customization) Other Function: (1) Support the ADPU of the ISO/IEC 14443 B Protocol Card	
Reading Distance	0~7cm	
Physical Parameter		
Size (mm)	78.5(W)×74.0(D)×47(H)mm, window size 69(W)×59(D)mm	
Weight	90g (without cable)	
Interface		
Socket	USB, RS-232 and USB-COM	

Scanning Mode	Command Mode/Sense Mode/Trigger Mode
Notification	Green LED, Beeper
Environmental Parameter	
Operating Temperature	-20°C ~ +60°C
Storage Temperature	-40°C ~ +70°C
Humidity	5% ~ 95% RH (non-condensing)
Ambient Light	Max.100,000 Lux
Electrical Parameter	
Input Voltage	3.6-6V
Operating Current	≤240mA (5v Input)
Certification	
Certificates	CE, IEC64721, RoHs
IP rate	IP 54 All around
Warranty	2 Years
Vibration	2000 G, 0.7 ms, half sinus, 3 axes
Drop Resistance	Can withstand a drop of 1.2 meters on a concrete floor
Cable length scanner side	25,5 cm to RJ45 fixed on scanner
Cable length USB cable	RJ45 to USB 210 cm (customizable from MOQ 100 pcs, contact sales rep.)

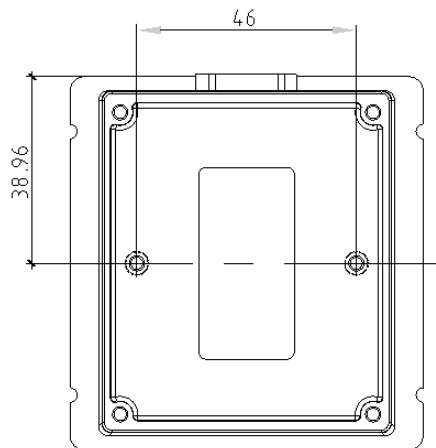
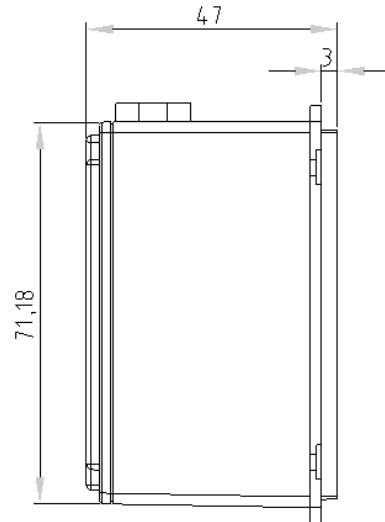


Dimension Diagram

Referenced CAD image can be provided, tolerance: $\pm 0.2\text{mm}$



Front View
Side View



Using M3 screws for mounting