

NOTES: (UNLESS OTHERWISE SPECIFIED)

1. SWITCH CHARACTERISTICS:

- REST POSITION .420 TO .480
- PRETRAVEL: .125 MAX.
- OPERATING POSITION: .300 TO .400
- OVER-TRAVEL: .175 MIN.
- MOVEMENT DIFFERENTIAL: .075 MAX.
- OPERATING FORCE grams: 680 MAX.
- RELEASE FORCE grams: 170 MIN.
- BUTTON POSITION .125 MAX.
- AT FULL OVERTRAVEL: .125 MAX.

ALL CHARACTERISTICS ARE TAKEN AT THE ACTUATION LINE AND MEASURED FROM THE REFERENCE LINE.

2. **CFM** us ELECTRICAL RATING:

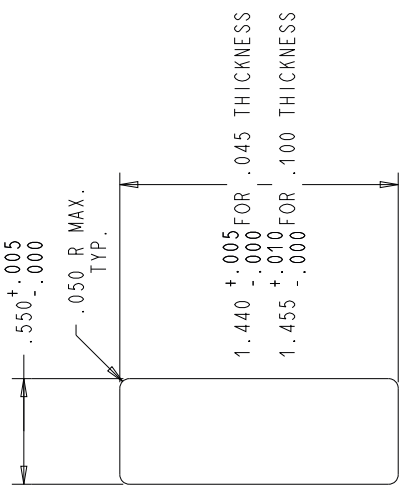
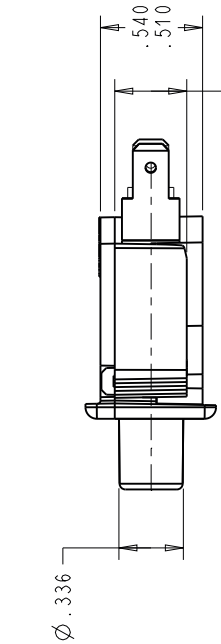
- 0.1A, 125 VAC.
- 0.1A, 30 VDC

3. TERMINALS:

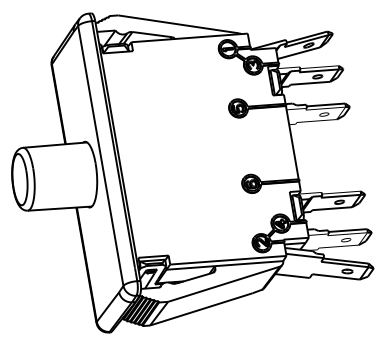
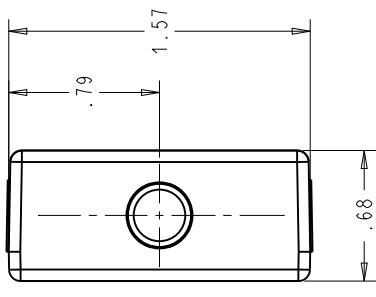
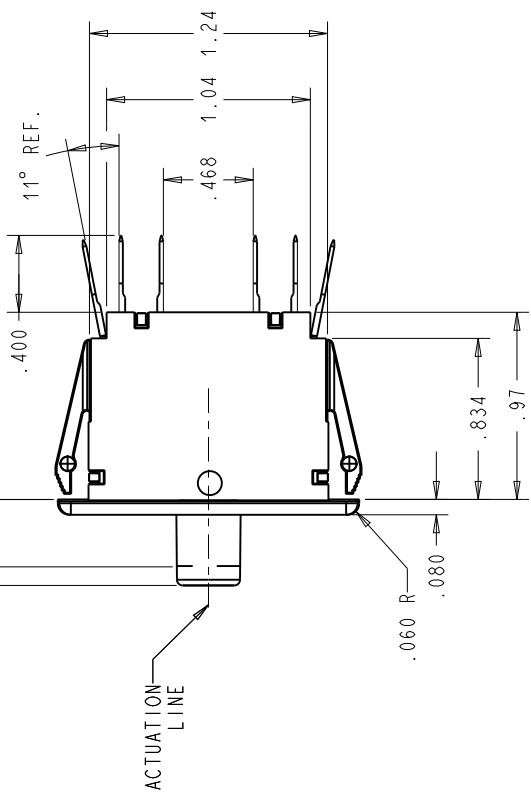
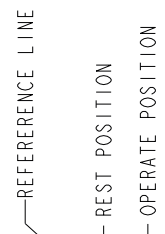
ARE .187 WIDTH x .020 THICKNESS.

4. RECOGNIZED TO U.S. AND CANADIAN REQUIREMENTS UNDER THE COMPONENT RECOGNITION PROGRAM OF UNDERWRITERS LABORATORIES, INC.

5. TEMPERATURE RATINGS: -40°C TO 85°C



PANEL CUTOUT DETAIL
RECOMMENDED
PANEL THICKNESS
.045 - .100



		ZF Electronic Systems 11200 88th AVE., PLEASANT PRAIRIE, WI. 53158	
CONFIDENTIAL AND PROPRIETARY: ALL INFORMATION OR INVENTIONS CONTAINED IN THIS DRAWING ARE THE PROPERTY OF ZF ELECTRONIC SYSTEMS, INC. AND IS NOT TO BE DISCLOSED, REPRODUCED OR OTHERWISE USED IN ANY MANNER WITHOUT THE WRITTEN AUTHORIZATION OF ZF ELECTRONIC SYSTEMS.			
DWG: J. DOLNIK APVD: RC DATE: 25-Sep-03 THIRD ANGLE PROJECTION		PROJECT CSR 4000000138	
TOLERANCE UNLESS SPECIFIED		ANGLES	
DWG UNITS	X.XX	X.XXX	± 5.0 °
INCHES	± 0.02	± 0.015	± 5.0 °
C ITEM NO. 0E78-40A0		SCALE: 2.000 SH 1 OF 1	
SPECIFICATION DRAWING			