

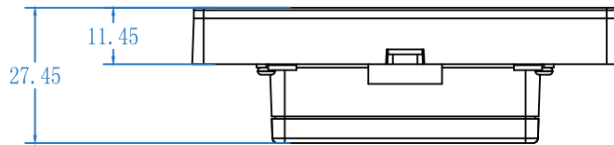
Acquisition Performance		
Model	FS250N-U	
Sensor	Image Type, CMOS Sensor	
Acquisition Speed	1/120fps	
FOV	Diagonal 75°, Level 63°, Vertical 49°	
Reading Performance		
Precision	≥4mil	
Reading Mode	Close to read	
Depth of Field	Testing Condition	Depth of Field
	Interleaved 2-of-5 (7.5mil)	40~120mm
	Code39 10b (4mil)	50~80mm
	PDF417-2 (80mm)	50~90mm
	DM 100bytes (15mil)	30~150mm
	QR 18bytes (on Screen)	30~250mm
Scan Angle	Roll 360°, Pitch ± 55°, Skew ± 55°	
Symbologies	2D Code: QR,Data Matrix,PDF417,Aztec code,Han Xin Code,Dotcode etc. 1D Code: UPC-A, UPC-E, EAN-8, EAN-13, ISBN, Code 128, GS1 128, ISBT 128, Code 39, Code93,Code 11, Interleaved 2 of 5, Industrial 2 of 5,Matrix 25, Standard 25, Codabar, MSI/MSI PLESSEY, GS1 DataBar,etc.	
Print Contrast	20%	
LED		
Illumination	White LED	
NFC		
13.56Mhz NFC Card Reading	Protocol: ISO/IEC 14443 A ISO/IEC 14443 B Card: MIFARE Classic (Can Read UID, Can Read and Write the Block) MIFARE Ultralight C (Can Read UID, Can Read the Page) MIFARE Desfire (Only support Reading UID, other functions need customization) FELICA (Only support Reading UID, other functions need customization) Other Function: (1) Support the ADPU of the ISO/IEC 14443 B Protocol Card (2) Support Chinese ID card reading	
Reading Distance	0~7cm	
Physical Parameter		
Size (mm)	(L×W×D): 86.65×86.65×27.45	
Weight	<35g	
Interface		
Socket	Double 5PIN sockets. 3-3.6V or 3.6-16V power supply (configurable) Single 5PIN: USB SERIAL PORT/USB KBW Single 5PIN: 3V TTL/5V TTL/RS232/RS485/Wiegand	

Scanning Mode	Command Mode/Sense Mode/Trigger Mode
Notification	Green LED, Beeper
Cable (Optional)	2 meter USB cable、 2 meter RS232 cable、 customized
Environmental Parameter	
Operating Temperature	-30°C ~ 70°C
Storage Temperature	-40°C ~ 80°C
Humidity	5% ~ 95% RH (non-condensing)
Ambient Light	Max.100,000 Lux
Electrical Parameter	
Input Voltage	Input with 5-pin or 12-pin FPC; the voltage 3-3.6V or 3.6-16V (optional)
Operating Current	<200mA (3.3v Input), <160mA (5v Input), <100mA(10v Input)
Standby Current	<5mA(3.3v Input)
Certification	
Certificates	CE, IEC64721, RoHs
Warranty	2 Years

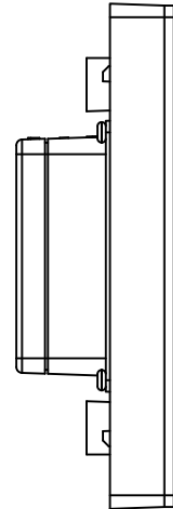


Dimension Diagram

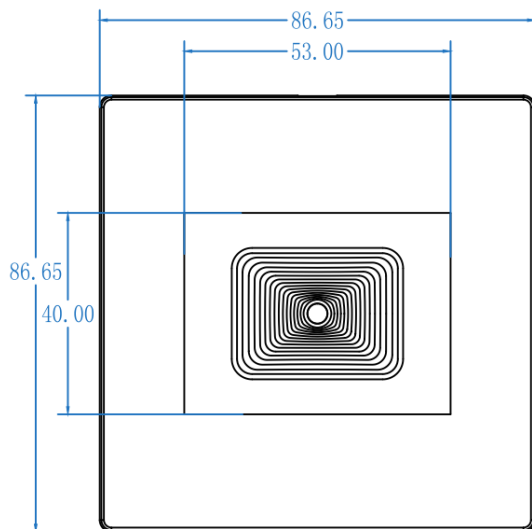
1、Referenced CAD image can be provided, tolerance: +0.2mm



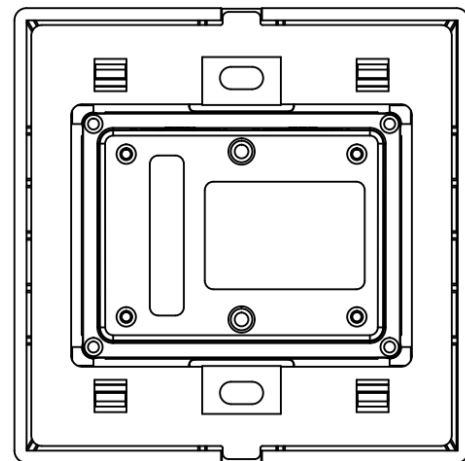
Bottom View



Left view



Front side view



Back side view