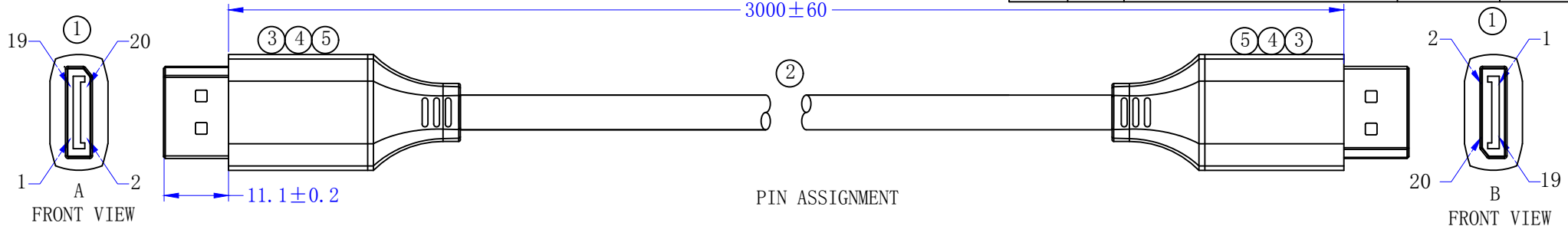
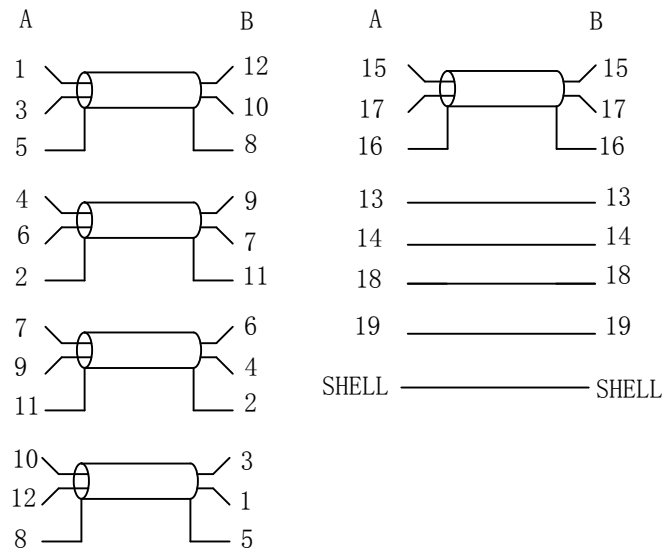


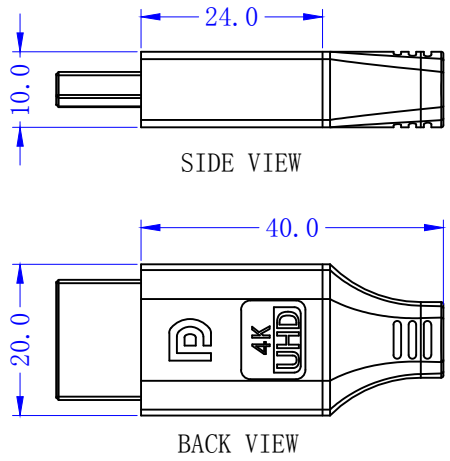
ITEM	REV.	DESCRIPTION	DATE	APPROVED
	1.0	RELEASE - MODEL B		
⚠				



PIN ASSIGNMENT



ELECTRICAL TEST:
 1. 100% OPEN/SHORT
 2. CONDUCTOR RESISTANCE: 10.0Ω
 3. INSULATION RESISTANCE: 5.0MΩ 4. HIGH POTENTIAL: AC: 300V; DC 300V
 5. VIDEO TEST: 3840*2160P 60HZ



MOULD

ITEM	DESCRIPTIONS	UNIT	Q' TY
⑤	ALUMINUM SHELL, L24*W20*H10MM	PCS	2
④	Outer mold black PVC 45P	KG	0.01
③	Low Density PE Material.	KG	0.015
②	DP1.2V cable {1/0.32BC*1P+D+AL+MY}*5C+1/0.32BC*4C+ADB (16/9/0.12AL) OD:7.0MM PVC JACKET, COLOR:BLACK	M	L
①	DISPLAY PORT 20M MALE CONNECTOR, PIN GOLD PLATED, METAL SHELL GOLD PLATED G/F, INSULATOR COLOR:BLACK	PCS	2

DP TO DP CABLE		P/N	20221121-030001
		DWG	20221121 REV 1.0
CUSTOMER			
CUSTOMER P/N			
		TOLERANCES: .X=±0.25 .XX=±0.05	
		SCALE: 1/1	UNIT: mm
DRAWN	CHECKED	APPROVED	DATE
cs			2022/11/21