

**75TP1500**  
**P-CAP**

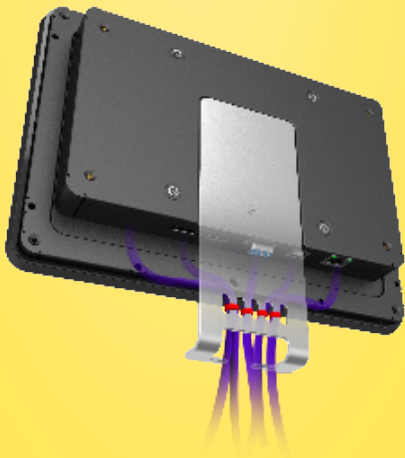


# 75TP1500

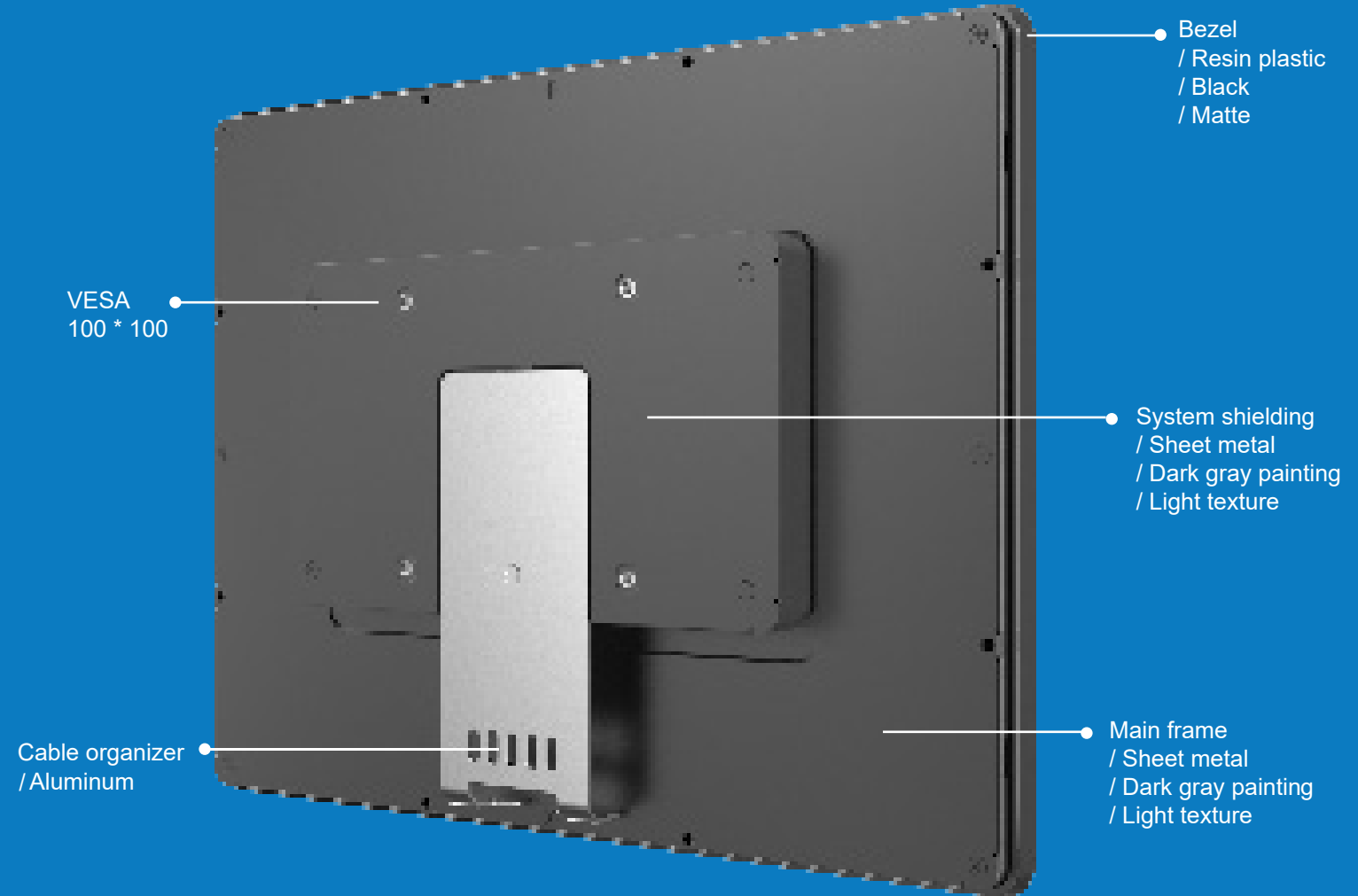
IP 65 commercial grade open  
frame monitor



Cable management

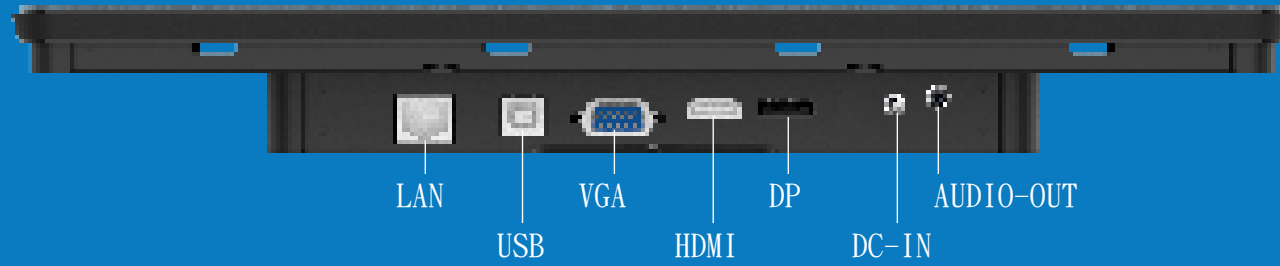


Detail

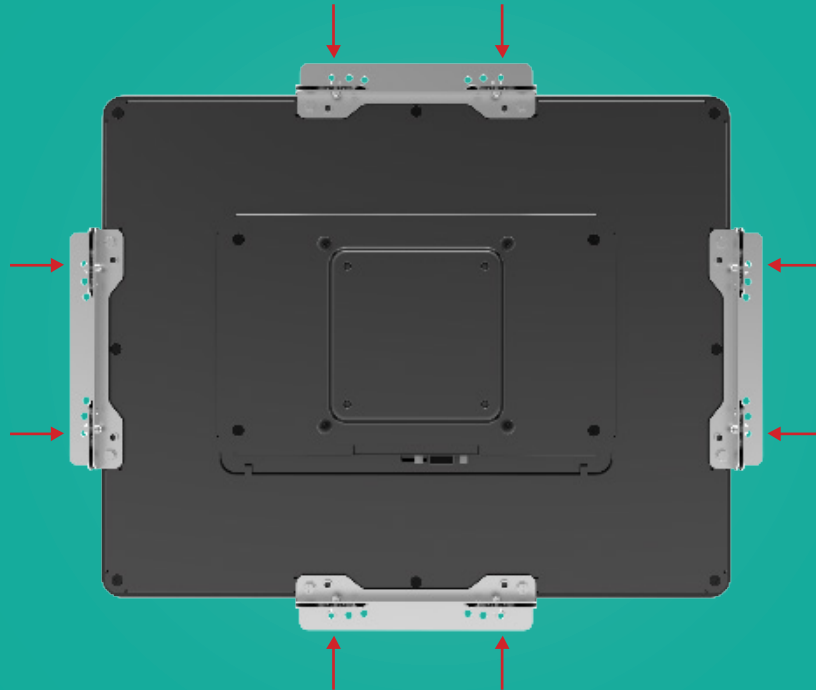


# Features

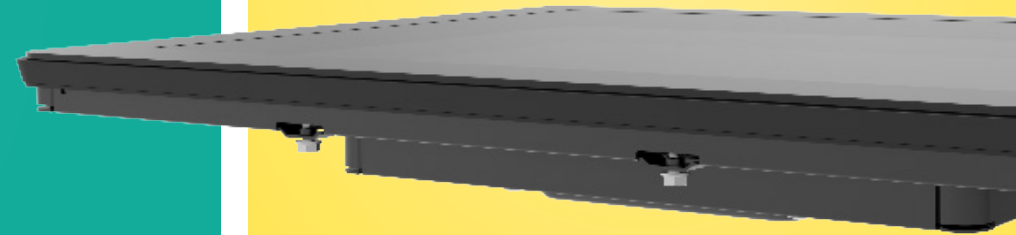
I/O port



Bracket mount



Slim design  
Flat type



# Specification

75TP1500	
Size	15" TFT LCD
Maximum Resolution	1024 x 768
Contrast Ratio	800:1
Brightness (Backlight Type)	350 nits (No Touch), 315 nits (Projected Capacitive)
View Angle	H:160°, V:160°
Touch LCD Display	
Touch Screen	Projected Capacitive
Touch Points	10
Touch Screen Interface	USB-HID (Type B)
IO ports	
USB Port	1 x USB 2.0 (Type B) for Touch Interface (USB-HID)
Video Port	1 x VGA (DB15), DP x 1, HDMI x 1
Audio Port	Line-Out
Power Input	1 x 12V DC Jack with lock
Physical Properties	
Power Supply	DC 12V with lock External Power
Housing Color	Black
Construction	Glass, Plastic (ABS), SECC Metal
Compliance	Front Side IP65 Compliant
Dimensions (W x H x D) mm	364.0 x 290.9 x 41.4
Net Weight (kg)	2.98 kg
Gross Weight (kg)	4.25 kg
Carton (W x H x D) mm	460 x 410 x 175
VESA	100 x 100 mm
Ball Drop	UL60950(500g/1.3m) and IK08
Safety	
Certifications	CCC, CE, FCC Class B
Environment	
Operating Temperature	0°C ~ 50°C, 20% ~ 80% RH. Non-Condensing
Storage Temperature	-20°C ~ 60°C, 10% ~ 95% RH. Non-Condensing
Optional Peripherals	
Remote Key	1 x RJ45 (for OSD connector)

※ Specification is subject to change without notice