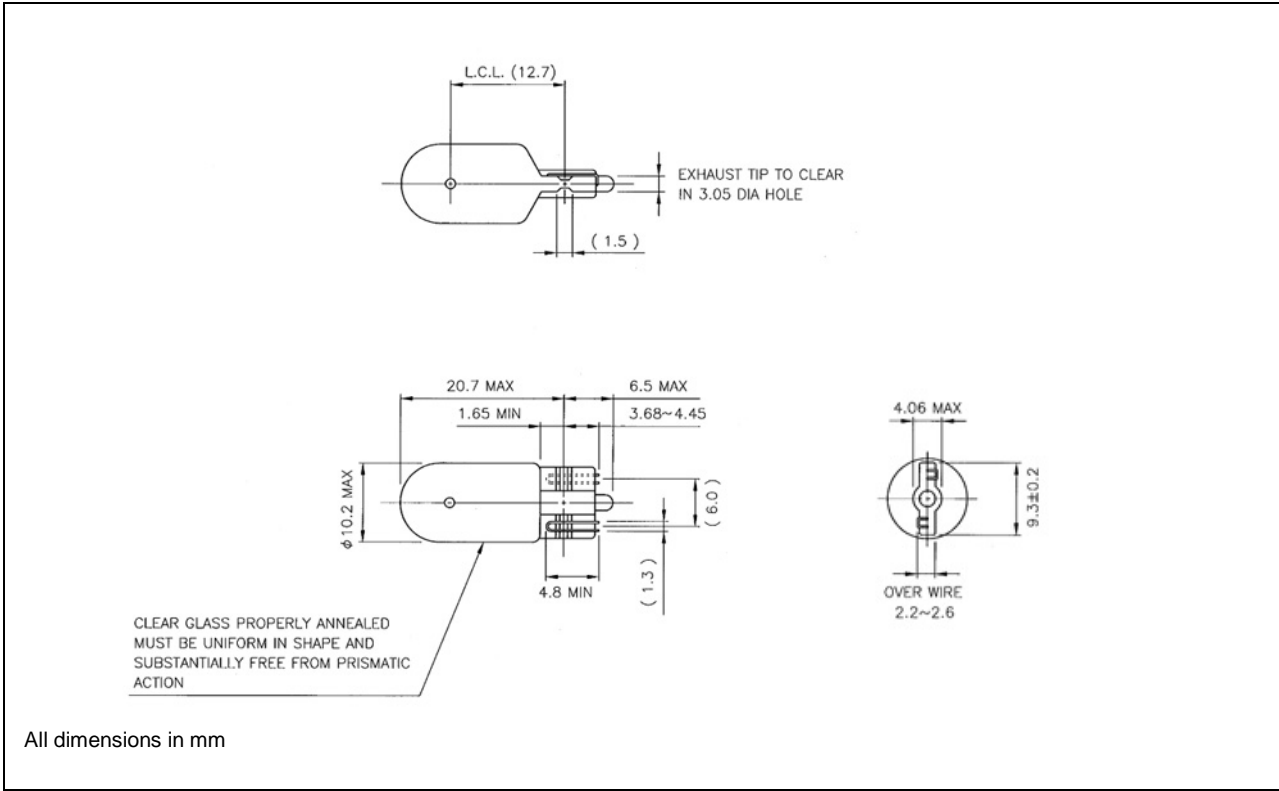



PRODUCT DATA SHEET

MINIATURE WEDGE BASE LAMP	L1112
---------------------------	-------



RATING:	12V 1.2W				
VOLTAGE:	V	12.0V			
CURRENT:	mA	Nom.	Min.	Max.	
		100	90	110	
LIGHT OUTPUT:	mscp	0.4	0.32	0.48	
	Lm	5.0	4.0	6.0	
LIFE: (@12.0V)	Hours	5,000DC / 8000AC			
FIL. SHAPE:	C-2V				

- 1) W2.1x9.5d wedge base to IEC61-1, sheet 7004-91-3, lead-wires with nickel-plated finish.
- 2) Marking ~ bulb to be durably ink-stamped "CD 12V 1.2W".
- 3) RoHS compliant.