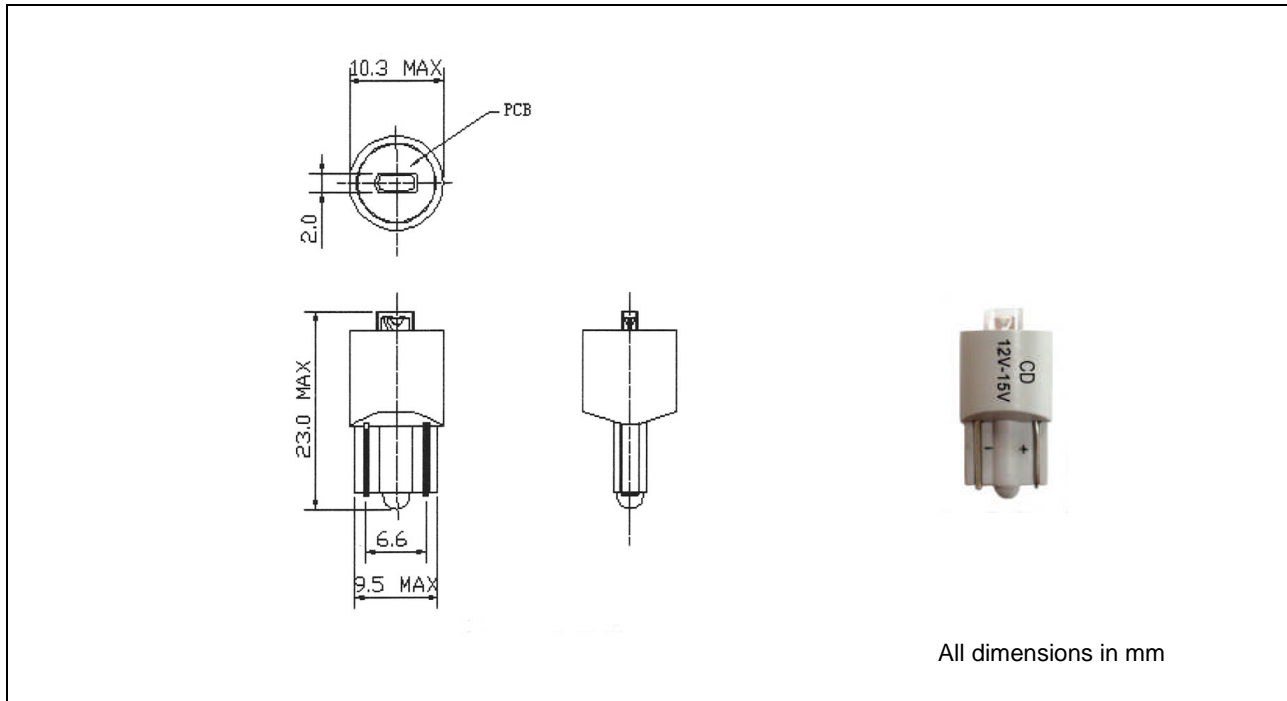


PRODUCT DATA SHEET

12~15 VDC – T10 Wedge base LED Lamp Replacement

WBL1012-X



Electrical / Optical Characteristics @ Ta = 25°C and 12VDC

Colour	Wavelength (nm)	mcd	Approx Lm	Part No.
Warm-White	(2800 – 3500°K)	400 - 500	2.0	WBL1012-99
White	(5000 – 7000°K)	450 - 550	2.3	WBL1012-9
Red	620 - 630	100 - 130	0.5	WBL1012-2
Green	520 - 530	600 - 800	2.9	WBL1012-5
Yellow	585 - 595	100 - 130	0.4	WBL1012-4
Blue	460 - 470	100 - 130	0.4	WBL1012-6

Forward Voltage	$V_{F \max}$	15.0	V
	$V_{F \min}$	12.0	
Forward Current	$I_{F \max}$	20	mA
	$I_{F \min}$	15	
Maximum Power Dissipation	$P_{D \max}$	300	mW
Operating Temperature	T_{op}	-30 ~ +85	°C
Storage Temperature	T_{sto}	-40 ~ +100	°C

Notes.

- 1) This device is polarity sensitive (polarity shown on base)
- 2) Marking ~ Plastic moulding to be durably marked with rating "12V-15V" and polarity.
- 3) Wedge dimensions, holder-fit and construction to be compatible with W2.1x9.5d.
- 4) RoHS compliant.