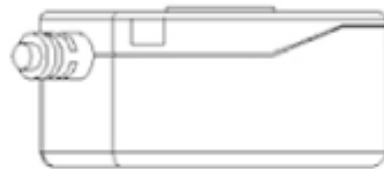
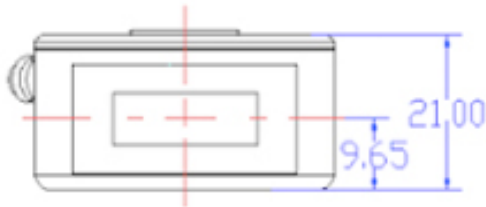
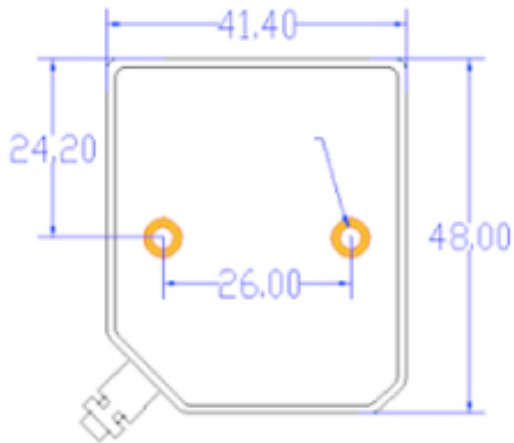


Sensor Capability		
Model	FS200-U	
Image Sensor	1280*800 CMOS	
Acquisition speed	60 FPS	
Field of View	Diagonal 52°,Horizontal 42°,Vertical 32° Diagonal 48.7°,Horizontal 42°,Vertical 27°	
Scan Capability		
Scan Precision	2D≥4mil, 1D≥3mil	
Depth of Field	Testing Condition	FS200
	Code 39 (4mil)	60~160mm
	Code 128 (5mil)	40~230mm
	Code 39 (5mil)	45~200mm
	Code 39 (20mil)	70~420mm
	100% UPCA	55~310mm
	PDF417 (5mil)	40~220mm
	Data Matrix (10mil)	35-210mm
QR Code (20mil)	35~340mm	
Scan Angle	Roll 360°, Pitch ± 55°, Skew ± 55°	
Symbologies	2D Code: QR Code,Data Matrix,PDF417,Hanxin Code,Dotcode etc 1D Code: UPC-A, UPC-E, EAN-8, EAN-13, ISBN, Code 128, GS1 128, ISBT 128, Code 39, Code93,Code 11, Interleaved 2 of 5, Industrial 2 of 5,Matrix 25, Standard 25, Codabar, MSI/MSI PLESSEY, GS1 DataBar etc OCR-A, OCR-B (*Customized Version)	
Minimal Print Contrast	20%	
		
LED		
Illumination	White LED	

Laser Aiming	
Aiming	Laser diode 650nm
Mechanical	
Dimension	(W×D×H): 41.4mm×48mm×21mm
Weight	35g
Interface	
Interface	USB serial port/USB KBW/USB HID-POS/TTL-3.3V/TTL-5V/RS232/RS485
Cable	2 meter USB-A cable,2 meter DB9 cable with USB power supply
Scan Mode	Trigger mode /Command mode /Sense mode
Environmental	
Operating Temperature	-30°C ~ 70°C
Storage Temperature	-40°C ~ 80°C
Humidity	5% ~ 95% (non-condensing)
Ambient Light	Max.100,000 Lux

Electric	
Input Voltage	3-3.6V or 3.6-16V
Current@5VDC Operating	<220mA
Current@5VDC Standby	<15mA
Certifications	
Certificates	IEC62471
Warranty	2 Years

Dimension (Tolerance \pm 0.2mm)



Laser Aiming

