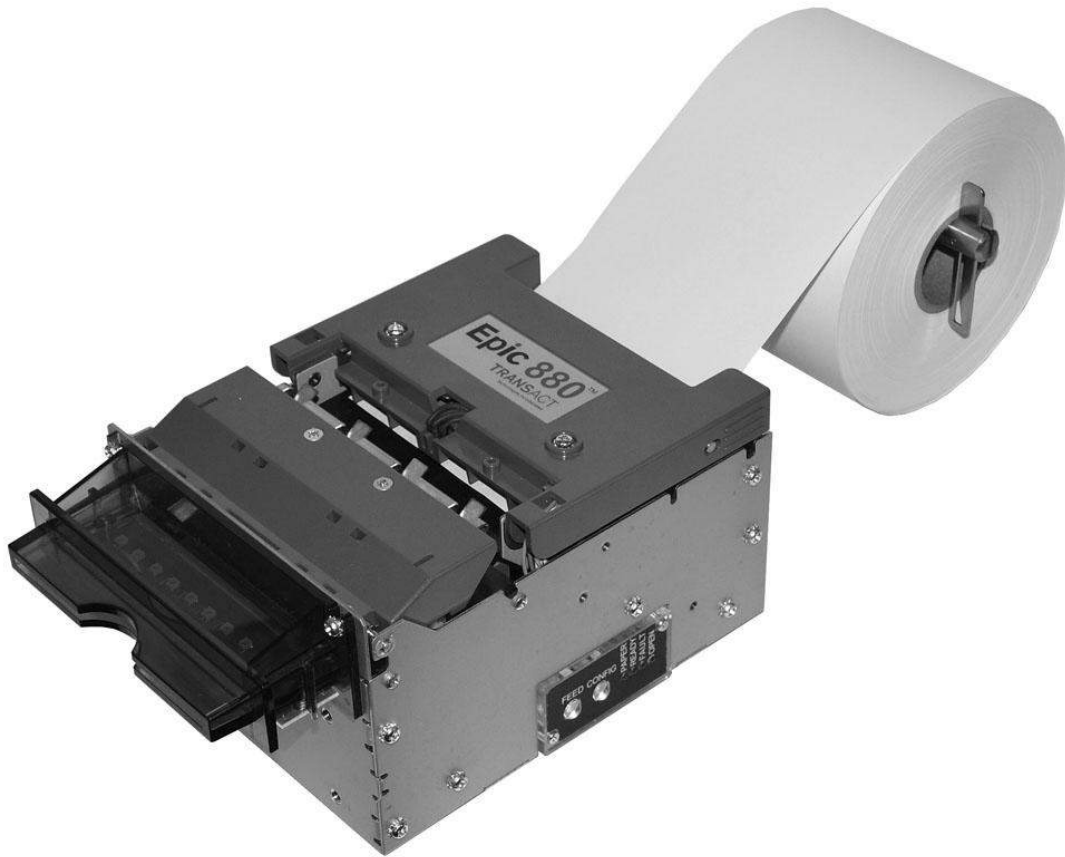


Epic 880™

Spare Parts Manual



For online parts orders visit www.compodis.com

TRANSACT
Technologies Incorporated

P/N 88-12702
April 2013

Change History

Revision	Release No.	Date	Description of Change
A	R43330	4/15/2013	Initial Release
B	R88217	5/2/2013	Added new blade p/n (88-12706) to pg 9.

Contact Information

TransAct Technologies Incorporated
 Ithaca Facility
 20 Bomax Drive
 Ithaca, NY 14850 USA

TransAct Technologies
 World Gaming Headquarters
 & Western Regional Repair Center
 6700 Paradise Road
 Suite D
 Las Vegas, NV 89119 USA

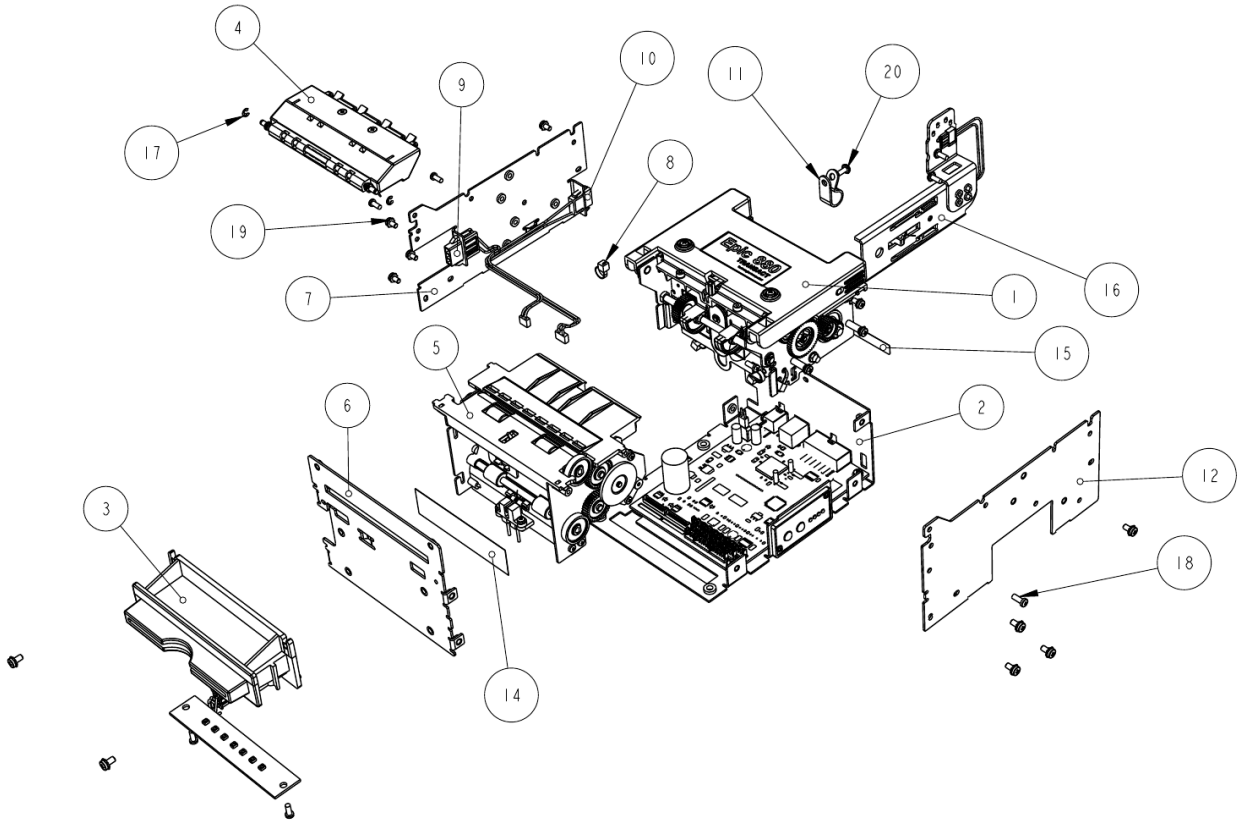
Telephone	877.7ithaca or 607.257.8901
Main fax	607.257.8922
Sales fax	607.257.3868
Technical Support fax	607.257.3911
Web site	www.transact-tech.com

Parts Lists

Epic 880 Assembly **88-10641**

Epic 880 Assembly **88-88000**

Printer Assembly (88-10641)



88-10641 has connector openings in these sidewalls

RS232 Cable
88-09125L

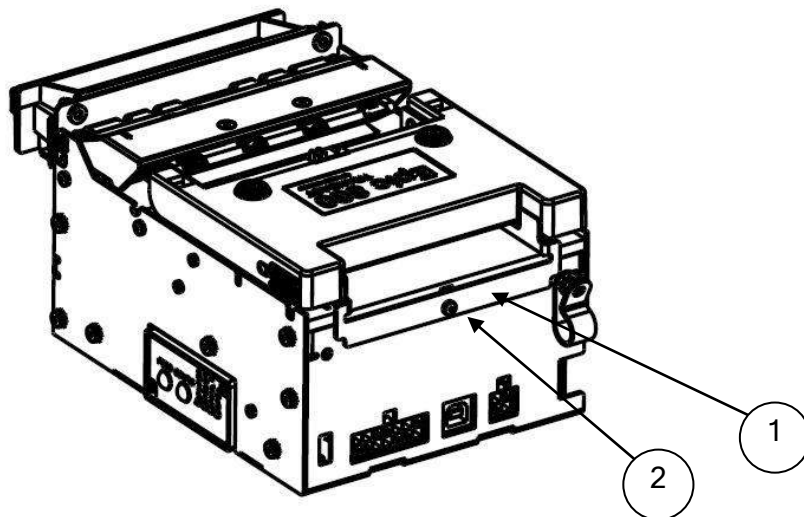


88-10641 BOM

No.	Description (standard parts)	QTY.	Part No. (History)
1	Assembly Printer Mechanism (Printer)	1	88-08593
2	Assy-Base Plate	1	88-10178
3	Assy-Bezel	1	43-06316
4	Assy – Paper Guide	1	88-08767
5	Assy - Transport	1	88-09607
6	Assy-Front Frame	1	88-10175
7	Assy – Left Frame	1	88-10174
8	Cable Tie 3 3/8"	1	98-0941
9	Cable – Detachable Bezel	1	88-09206L
10	Cable – Detachable Paper Low	1	88-09207L
11	Clamp-Cable	1	98-08992
12	Frame - Right	1	88-09098
13	Function Test (Ref)	-	100-09728
14	Label-PCB Connector ID	1	88-08730
15	Label – Vendor Serial Plate	1	98-07010
16	Paper Spindle Assembly (6 Inch)	1	88-10506
17	Ring - Retaining	2	520-9800002
18	Screw – #4 Plastic Thread Forming	5	98-7608
19	Screw-M3x6mm Sems PHD PHSD	13	98-02215
20	Screw-M3x8 Sems PHD PHSD	3	98-08994

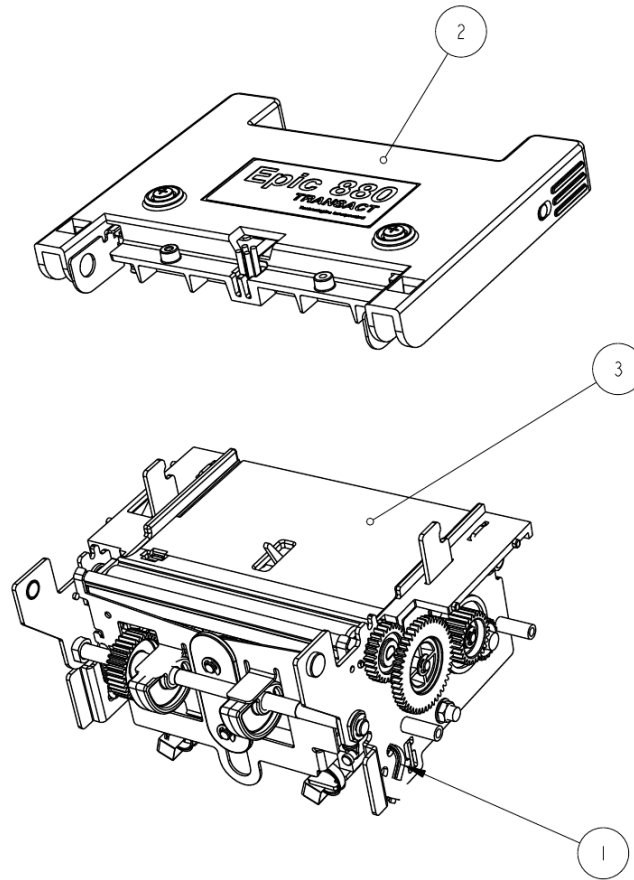
For online parts orders visit www.compodis.com

Optional 80MM Paper Guide



No.	Description (standard parts)	QTY.	Part No. (History)
1	Bracket – 80MM Paper	1	88-08565
2	Screw – #4 Plastic Thread Forming (Ref)	1	98-7608

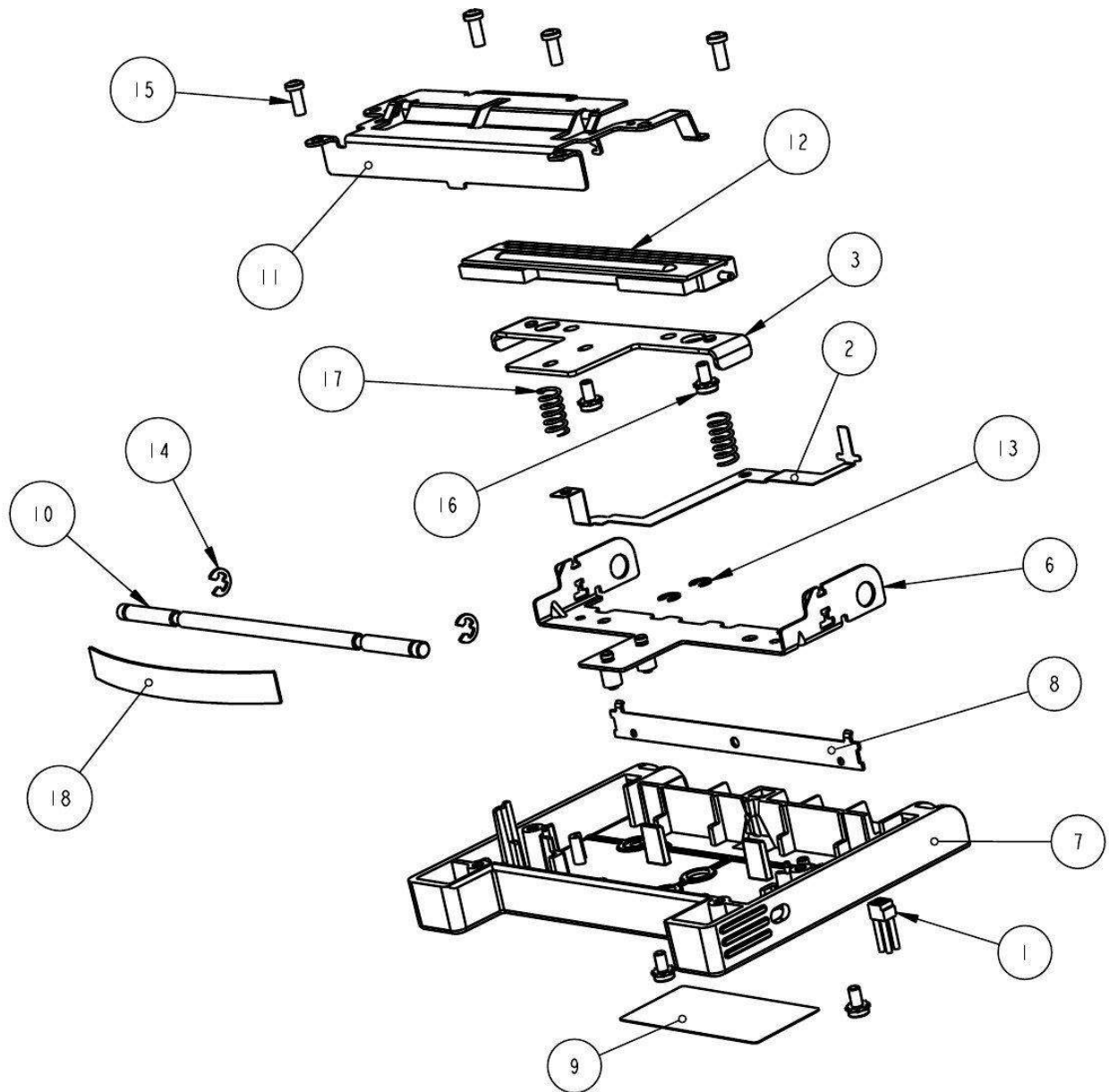
Printer Mechanism (88-08593) in assembly 88-10641



No.	Description (standard parts)	Qty.	Part No. (History)
1	Cable Tie 3 3/8"	4	98-0941
2	Cover –Top (Printer)	1	88-08530
3	Printer Mechanism Bottom (Assy)	1	88-08592

For online parts orders visit www.compodis.com

Top Cover Assembly (88-08530) in assembly 88-10641

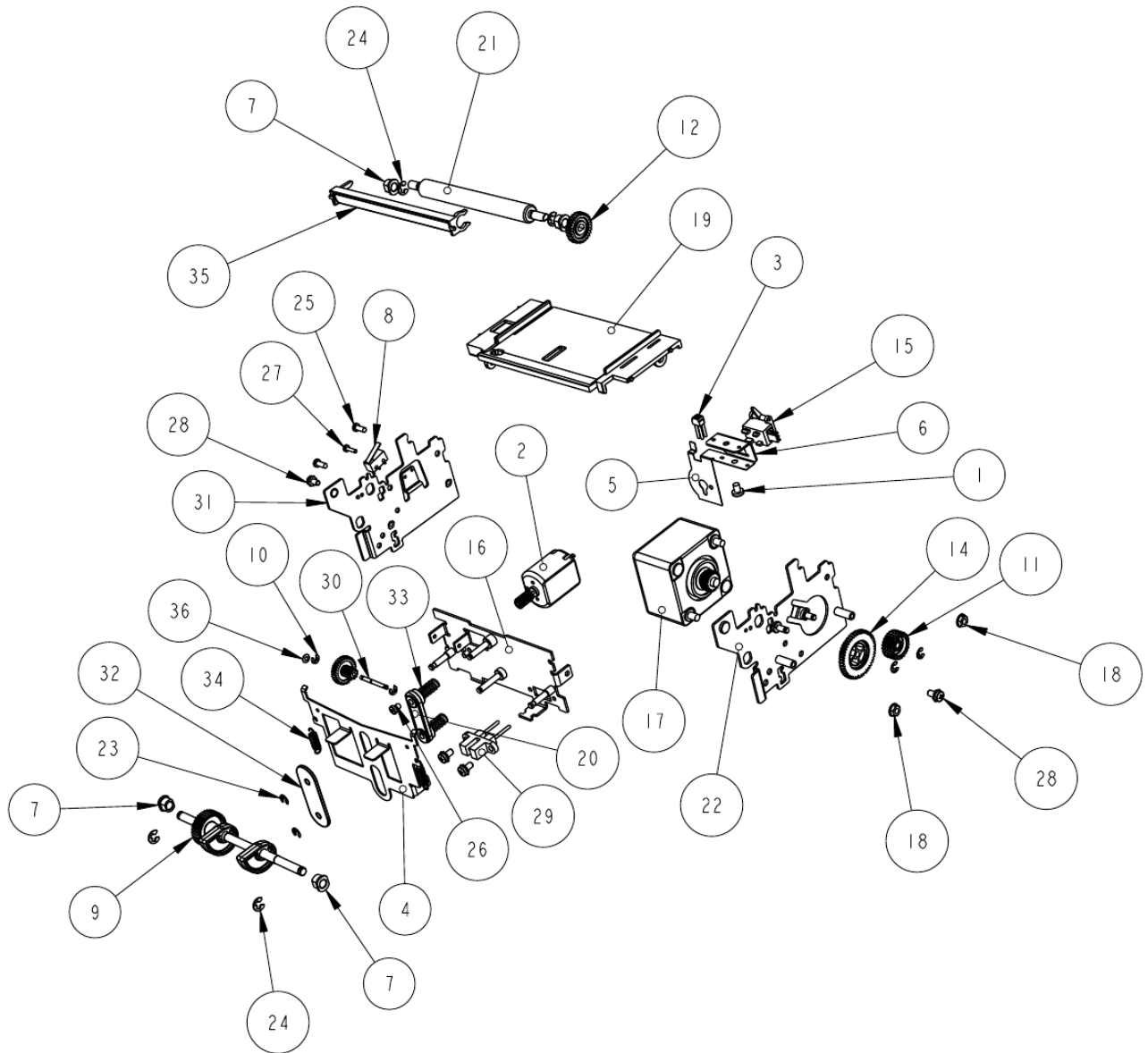


88-08530 BOM in assembly 88-10641

No.	Description (standard parts)	QTY.	Part No. (History)
1	Assy-Sensor (Paper Jam)	1	88-08367L
2	Bracket-Sensor (Ground)	1	88-08567
3	Bracket-Head	1	88-08551
4	Cable – TPH Connector	1	88-08362L
5	Cable – TPH Connector A	1	88-08361L
6	Cover Hinge (Assy)	1	88-09570
7	Cover Top	1	88-09572
8	Knife Blade - Fixed	1	88-08509
9	Label-Epic 880	1	88-08749
10	Latch-Shaft	1	88-08552
11	Plate-Head Cover	1	88-09880
12	Print Head (Heatsink Assy)	1	88-08587
13	Ring-Retaining	2	520-9800002
14	Ring-Retaining	2	520-9800003
15	Screw-#4 Plastic Thread Forming	4	98-7608
16	Screw-M3x6mm Sems PHD PHPS	4	98-02215
17	Spring-Compression (Printhead)	2	43-08710
18	Spring-Flat Latch (Cover)	1	88-10863

For online parts orders visit www.compodis.com

Printer Mechanism Bottom Assembly (88-08592) in assembly 88-10641

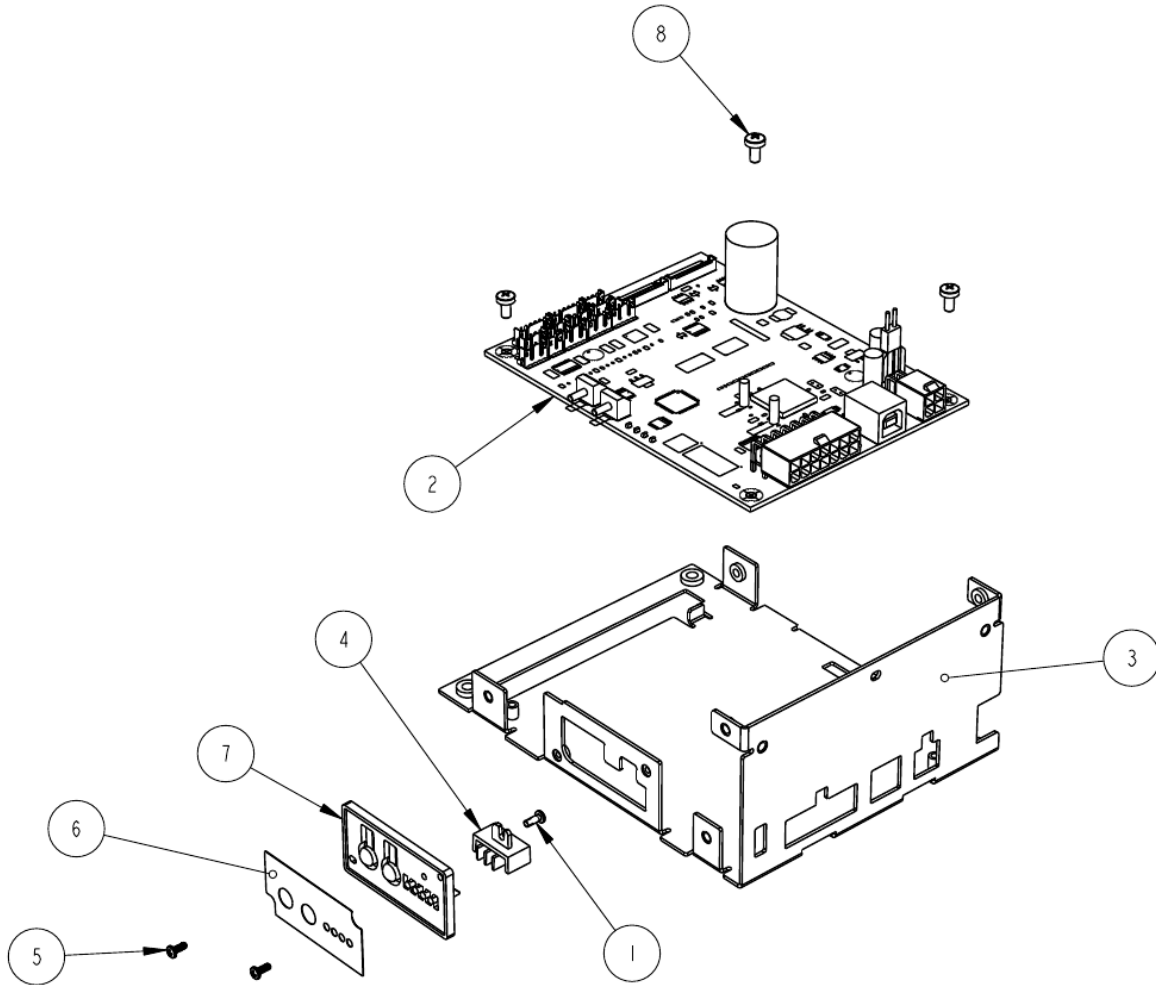


88-08592 BOM *in assembly 88-10641*

No.	Description (standard parts)	QTY.	Part No. (History)
1	6-20 Screw #2 Phil	1	98-04160
2	Assy – Carriage Lift Motor	1	88-08365L
3	Assy – Sensor (Top of Form)	1	88-08366L
4	Blade – Knife, Sliding	1	88-12706, 88-08508
5	Bracket Knife – Ground	1	88-09551
6	Bracket – Sensor Mount (Paper Out)	1	88-08524
7	Bushing – Validation Shaft	4	20-03152
8	Cable – Cover (Open Switch)	1	88-08888L
9	Cam Shaft (Assy) Knife	1	88-09566
10	E-Ring .051 Dia.	3	98-6083
11	Gear – 26T/48P	1	88-08555
12	Gear – 28T/48P	1	88-08557
13	Gear – Compound	1	12-05215
14	Gear – Compound 28T–48T/48P	1	88-08556
15	Harness – Paper Out Sensor	1	88-08370L
16	Knife Motor Mount (Assy)	1	88-09511
17	Motor Assy – Paper Feed	1	88-08363L
18	Nut – M3 Hex	2	98-0621
19	Paper Path	1	88-08521
20	Plate – Knife (Spring)	1	88-08577
21	Platen	1	88-08763
22	Right Side Plate – Assy	1	88-09509
23	Ring – Retaining	4	520-9800002
24	Ring – Retaining	4	520-9800003
25	Screw - #4 Plastic Thread Forming	2	98-7608
26	Screw – M2.6 X 4mm PHPS PHD	1	98-1182
27	Screw – M2 X 8	1	M068306-01
28	Screw – M3 X 6mm SEMS PHD PHPS	4	98-02215
29	Sensor – Interruptive (Home)	1	88-08360L
30	Shaft – Drive	1	88-08514
31	Side – Plate (Left) Assy	1	88-09510
32	Slider – Knife (Blade)	1	88-08576
33	Spring – Compression (Printhead)	2	43-08710
34	Spring – Knife Return	2	88-08600
35	Stripper – Platen	1	88-08572
36	Washer – Spring	1	98-09882

For online parts orders visit www.compodis.com

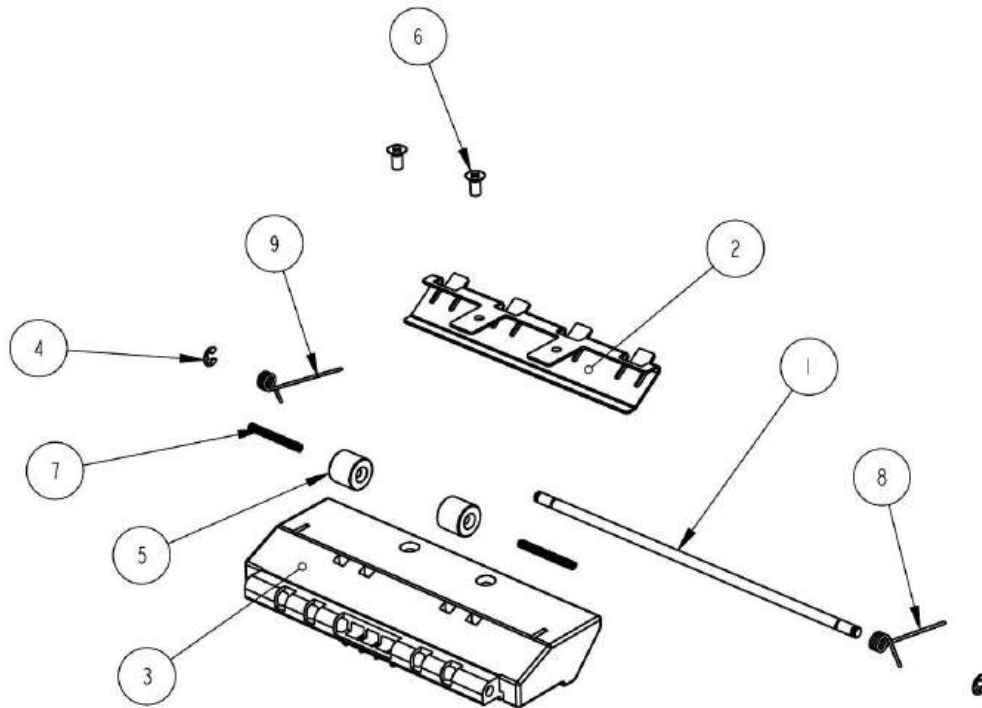
Base Plate Assembly (88-10178) in assembly 88-10641



No.	Description (standard parts)	QTY.	Part No. (History)
1	2-32 x 1/4 Pan Hd Plastite Hi-Lo	1	98-02592
2	Assy - Epic Controller Board	1	88-10607L (88-10601L) (88-08916L)
3	Assy Base Plate	1	88-10176
4	Baffle - Lightpipe	1	88-08714
5	M2 x 5mm, Phillips Pan Head	2	98-1574
6	Overlay-Control Panel	1	88-08713
7	Panel-Control	1	88-08712
8	Screw-M3x6mm Phps Phd	3	98-0611

For online parts orders visit www.compodis.com

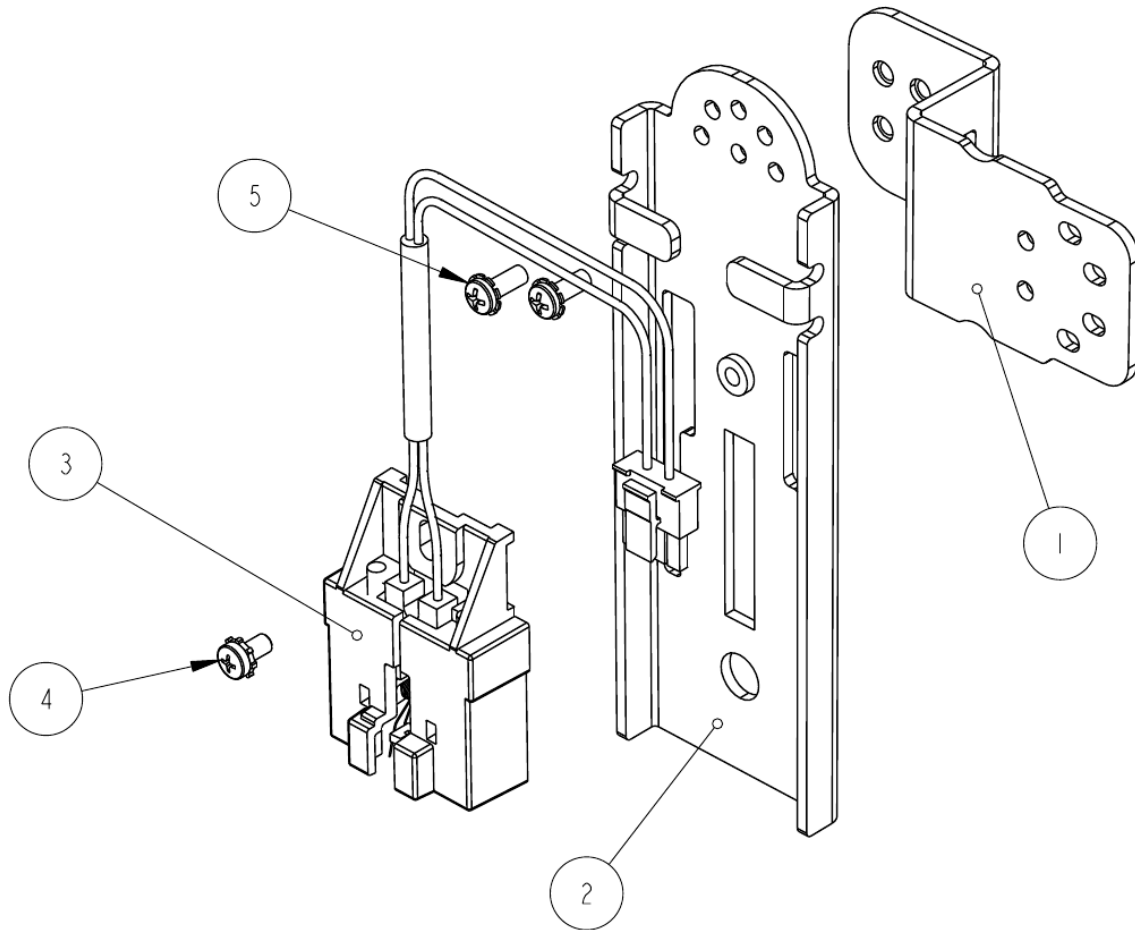
Assembly - Deck (88-08767) in assembly 88-10641



No.	Description (standard parts)	QTY.	Part No. (History)
1	Assy-Drive Shaft	1	88-09670
2	Bracket-Paper Guide	1	88-10841 (88-00840)
3	Paper Guide- Upper	1	88-10042
4	Ring - Retaining	2	520-9800002
5	Roller-Transport	2	88-08773
6	Screw-#6-32 x 1/4" Flat Hd Machine	2	98-02219
7	Spring - Roller Axle	2	98-08954
8	Spring-Torsion, LHW (Latch Arm)	1	88-08811
9	Spring-Torsion, RHW (Latch Arm)	1	88-08812

For online parts orders visit www.compodis.com

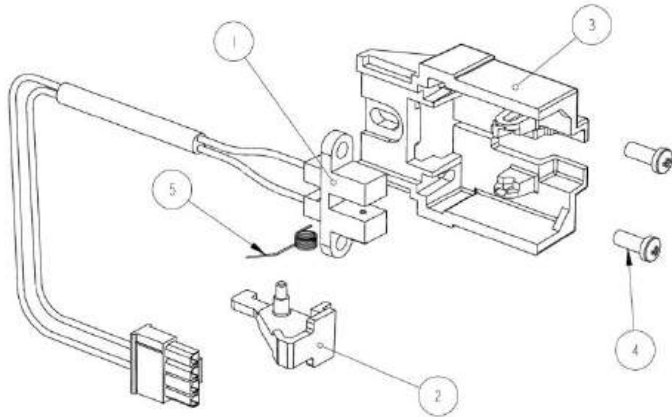
Paper Spindle Assembly (88-10506) in assembly 88-10641



No.	Description (standard parts)	QTY.	Part No. (History)
1	Bracket-Sensor Mount (Paper Out)	1	88-10177
2	Bracket-Paper	1	88-08733
3	Paper Low Sensor Assy (Interruptive)	1	88-10505
4	Screw-M3 x 6mm Sems PHD PHPS	1	98-02215
5	Screw-M3 x 8mm Sems PHD PHPS	2	98-08994

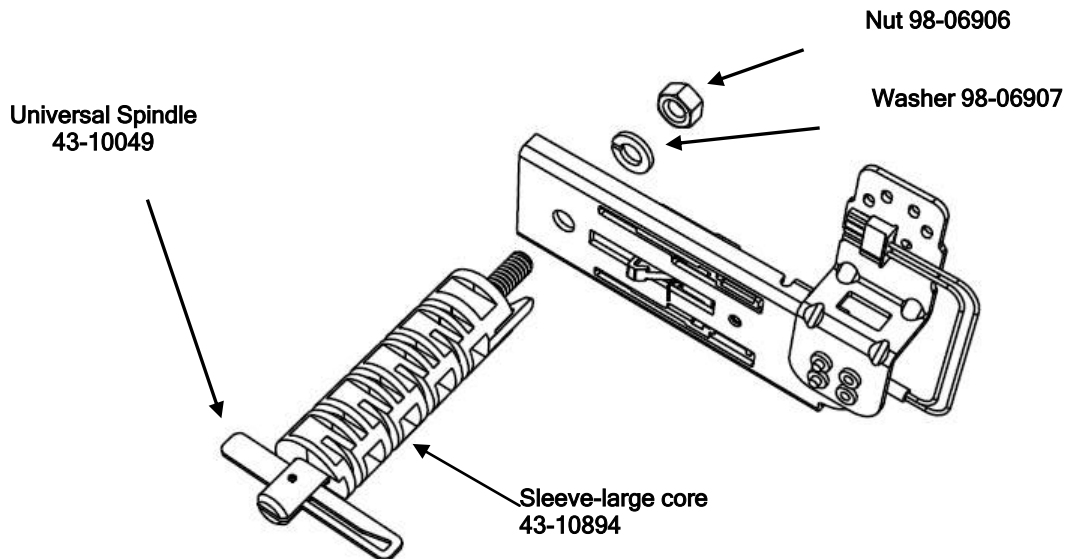
For online parts orders visit www.compodis.com

Paper Low Assembly (88-10505) *in assembly 88-10641*

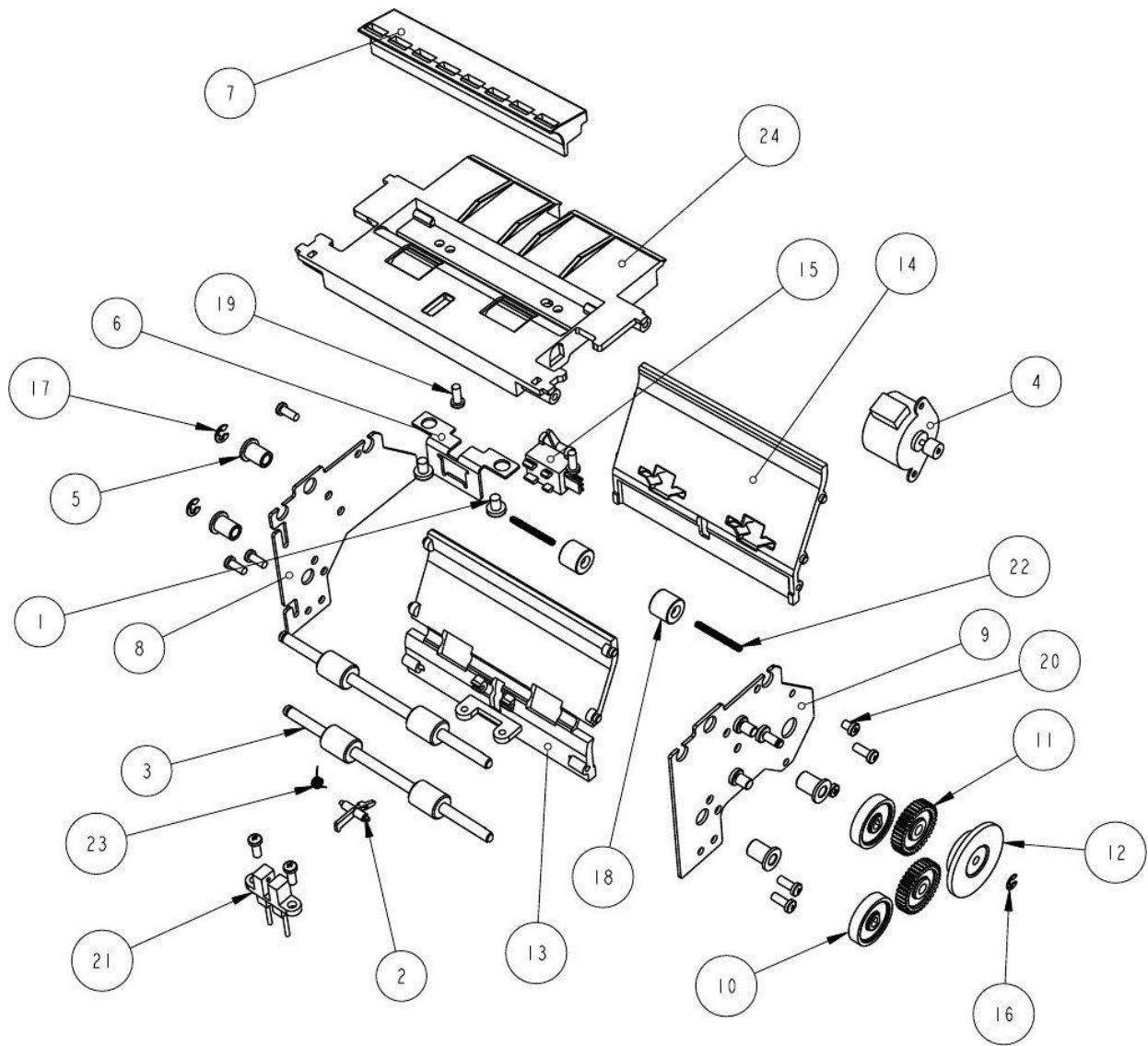


o.	Description (standard parts)	QTY.	Part No. (History)
1	Cable-Interruptive Paper Low Sensor 250mmx10mm	1	88-09205L
2	Flag-Paper Low (Spindle)	1	43-06640
3	Mount-Paper Low (Spindle)	1	43-06639
4	Screw-No. 4 Plastic Thread Forming	2	98-7608
5	Spring-Paper Low (Spindle)	1	43-06641

For online parts orders visit www.compodis.com



Transport Assembly (88-09607) *in assembly 88-10641*

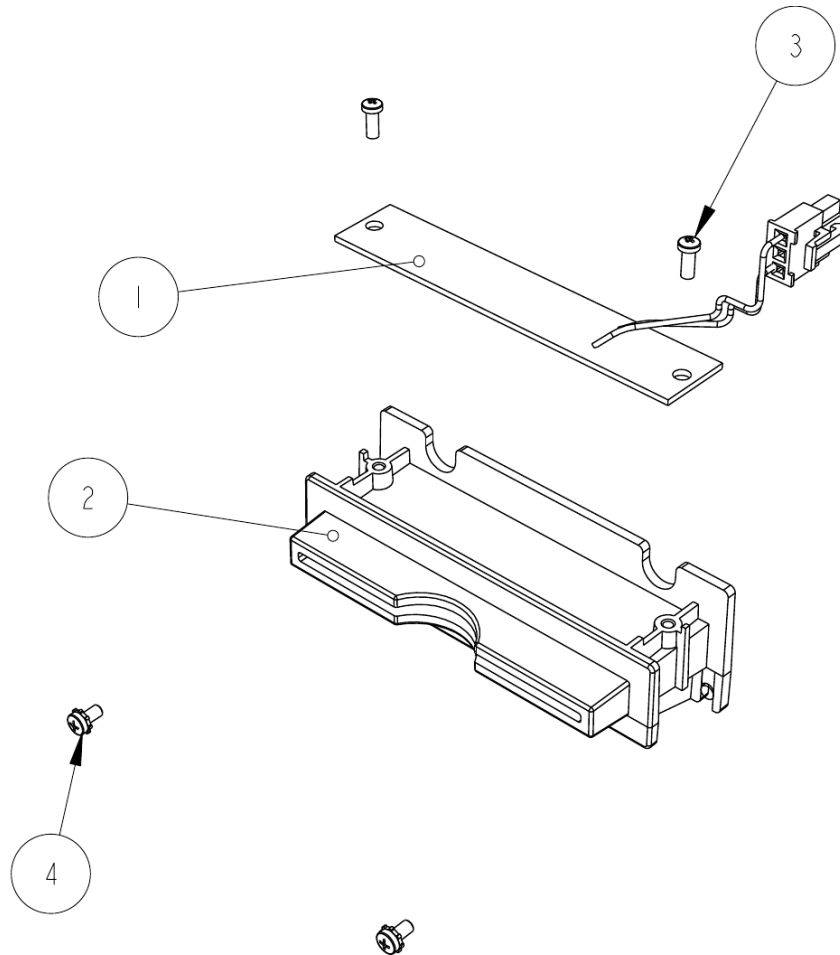


88-09607 BOM in assembly 88-10641

No.	Description (standard parts)	QTY.	Part No. (History)
1	6-20 Screw, #2 Phil.	2	98-04160
2	Arm-Switch	1	88-08830
3	Assy-Drive Shaft	2	88-09400
4	Assy-Motor	1	88-08364L
5	Bearing-Platen	4	95-04963
6	Bracket-Sensor Mount (Paper Out)	1	88-08772
7	Diverter Gate - Retract	1	88-08828
8	Frame-Left (Transport)	1	88-09577
9	Frame-Right (Transport)	1	88-09574
10	Gear-36 Tooth	2	95-06326
11	Gear-36T/48P	2	88-08775
12	Gear-54/32 Tooth	1	95-04936
13	Guide-Retract (Front)	1	88-08821
14	Guide-Retract (Rear)	1	88-08820
15	Harness-Paper Out Sensor	1	88-08371L
16	Ring-Retaining	1	520-9800002
17	Ring-Retaining	2	520-9800003
18	Roller-Transport	2	88-08773
19	Screw-#4 Plastic Thread Forming	10	98-7608
20	Screw-M2.6x4mm PHPS PHD	2	98-1182
21	Sensor-Interruptive (Home)	1	88-08369L
22	Spring – Roller Axle	2	98-08954
23	Spring-Torsion, RHW (Latch Arm)	1	88-08831
24	Transport - Deck	1	88-09573

For online parts orders visit www.compodis.com

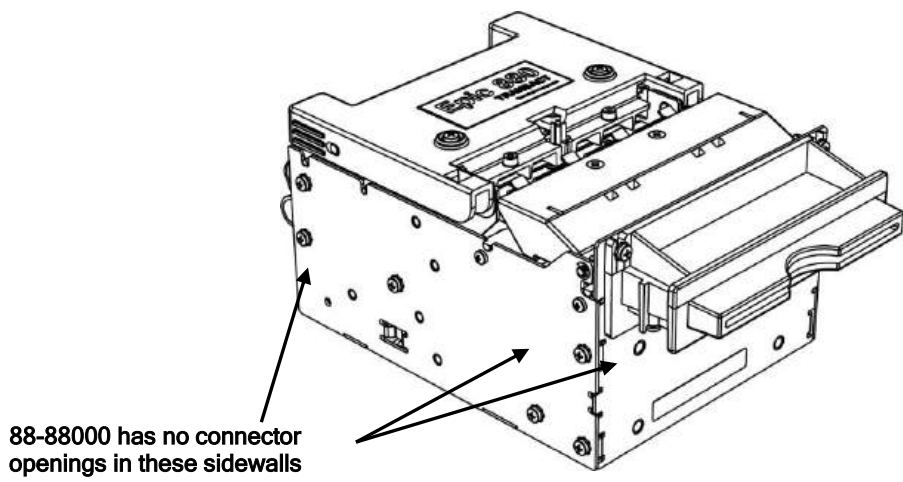
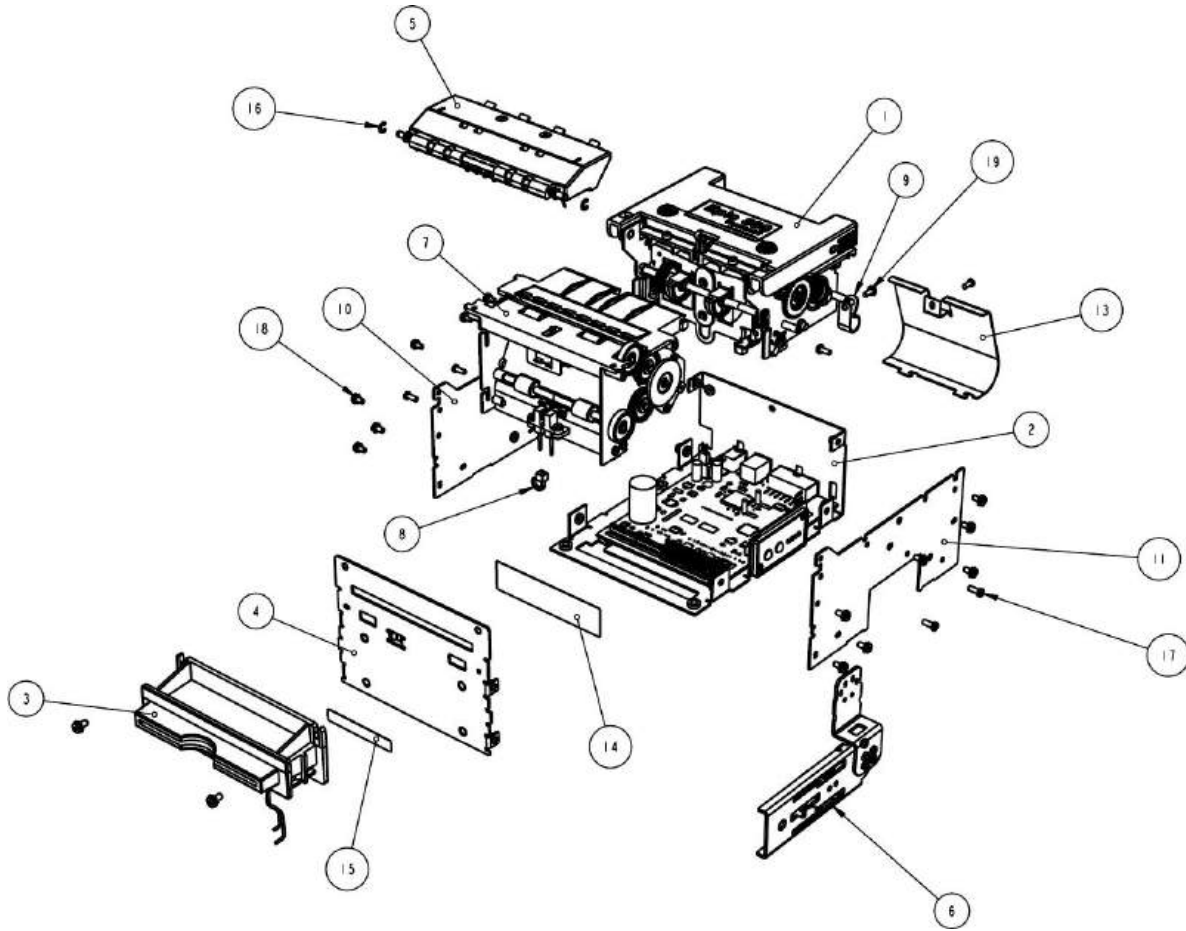
Bezel Assembly (43-06316) *in assembly 88-10641*



No.	Description (standard parts)	QTY.	Part No. (History)
1	Assy-Blue Bezel Board	1	95-07223L
2	Bezel-Transport (Blue)	1	43-06312
3	Screw-No. 4 Plastic Thread Forming	2	98-7608
4	Screw-M3x6mm Sems Phps Phd	2	98-02215

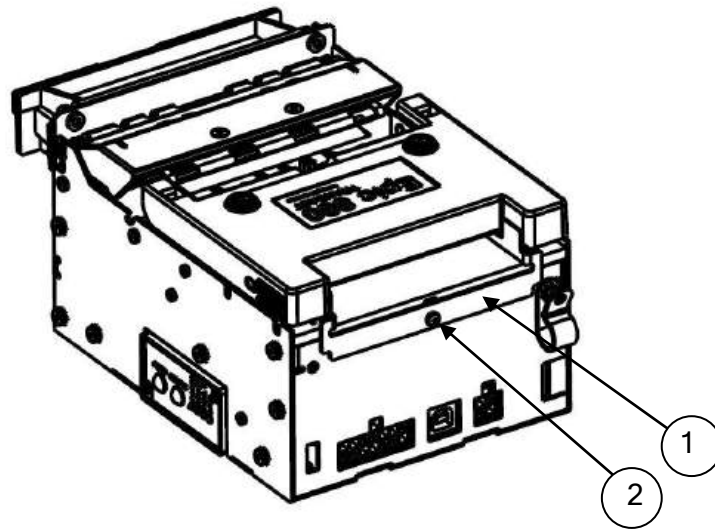
For online parts orders visit www.compodis.com

Printer Assembly (88-88000)



88-88000 has no connector openings in these sidewalls

Optional 80MM Paper Guide



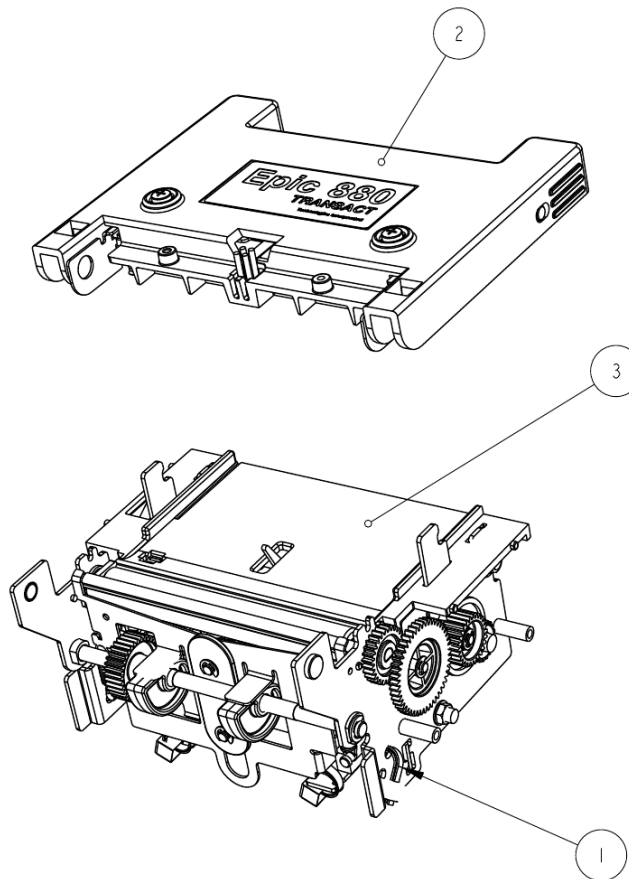
No.	Description (standard parts)	QTY.	Part No. (History)
1	Bracket – 80MM Paper	1	88-08565
2	Screw – #4 Plastic Thread Forming (Ref)	1	98-7608

For online parts orders visit www.compodis.com

88-88000 BOM

No.	Description (standard parts)	QTY.	Part No. (History)
1	Assembly Printer Mechanism (Printer)	1	88-08593
2	Assy - Base Plate	1	88-08715
3	Assy - Bezel	1	88-08735
4	Assy – Front Frame	1	88-08785
5	Assy – Paper Guide	1	88-08767
6	Assy-Paper Spindle 6"	1	88-08724
7	Assy - Transport	1	88-09607 (88-09401)
8	Cable Tie 3 3/8"	1	98-0941
9	Clamp - Cable	1	98-08992
10	Frame - Left	1	88-09099 (88-08762)
11	Frame - Right	1	88-09098 (88-08761)
12	Function Test (Ref)	-	100-09728
13	Guide - Lower Paper	1	88-08727
14	Label - PCB Connector ID	1	88-08730
15	Label – Vendor Serial Plate	1	98-07010
16	Ring - Retaining	2	520-9800002
17	Screw – #4 Plastic Thread Forming	5	98-7608
18	Screw-M3x6mm Sems PHD PHSD	13	98-02215
19	Screw-M3x8 Sems PHD PHSD	3	98-08994

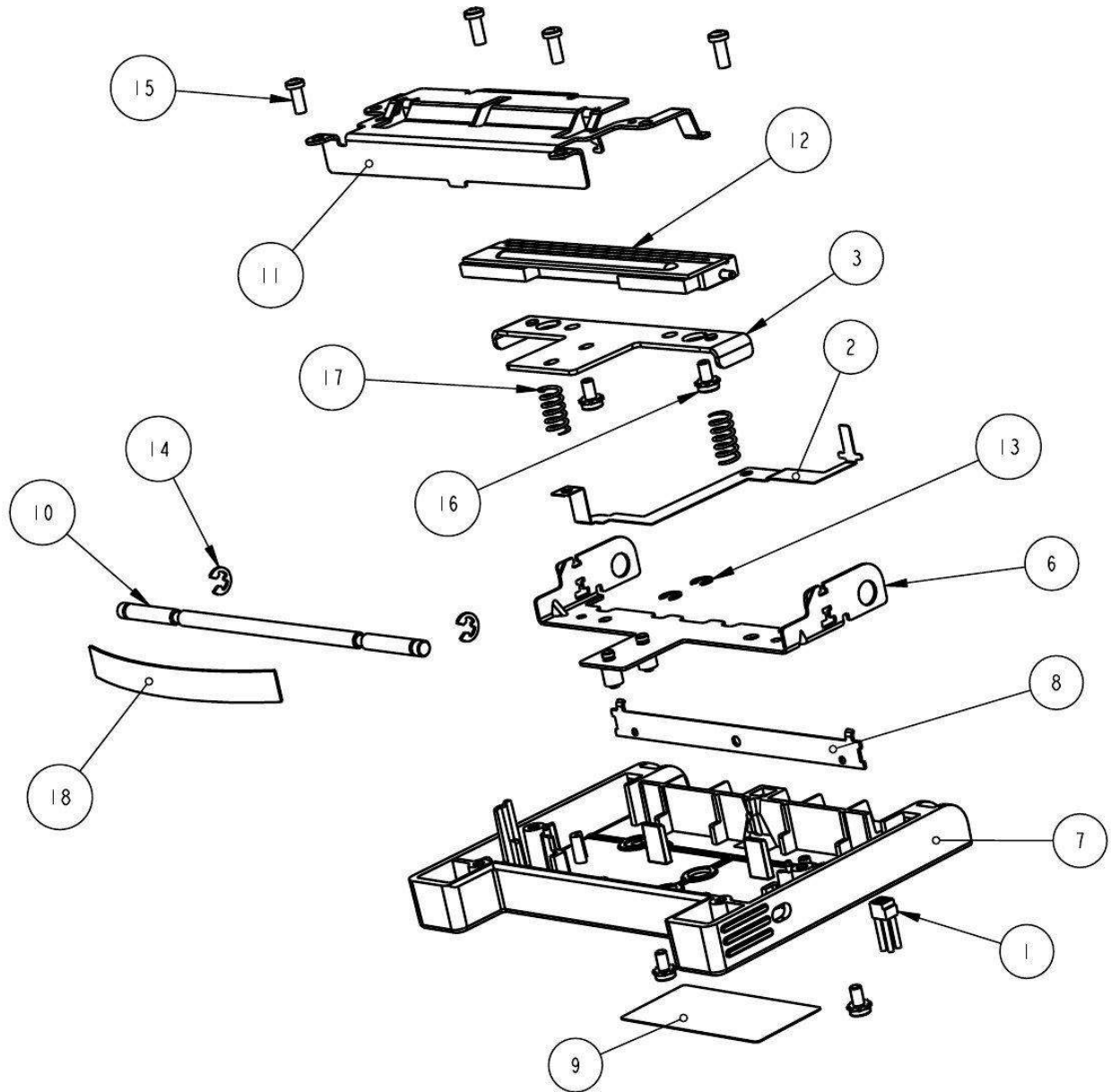
Printer Mechanism (88-08593) in assembly 88-88000



No.	Description (standard parts)	Qty.	Part No. (History)
1	Cable Tie 3 3/8"	4	98-0941
2	Cover -Top (Printer)	1	88-08530
3	Printer Mechanism Bottom (Assy)	1	88-08592

For online parts orders visit www.compodis.com

Top Cover Assembly (88-08530) in assembly 88-88000

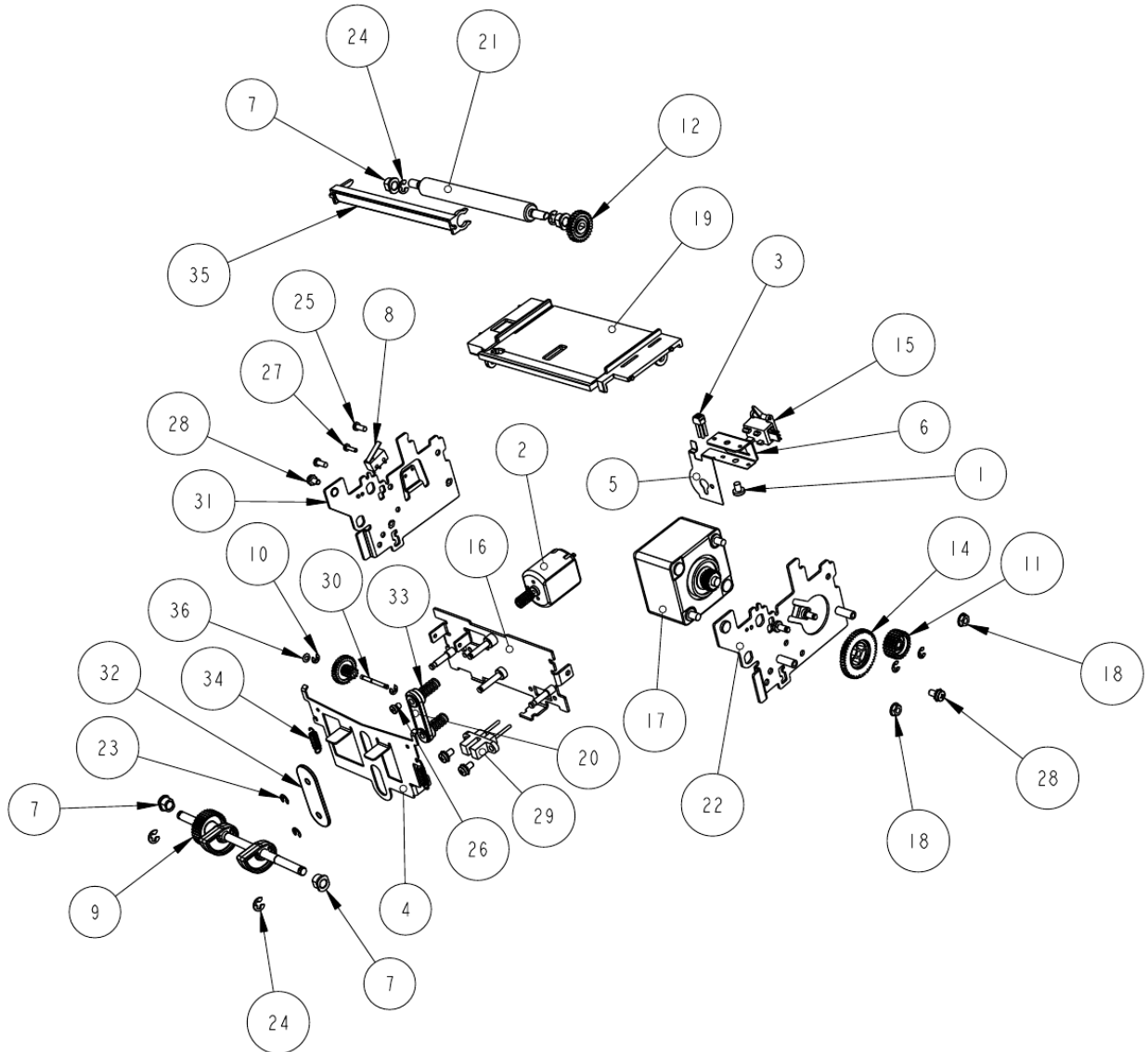


88-08530 BOM in assembly 88-88000

No.	Description (standard parts)	QTY.	Part No. (History)
1	Assy-Sensor (Paper Jam)	1	88-08367L
2	Bracket-Sensor (Ground)	1	88-08567
3	Bracket-Head	1	88-08551
4	Cable – TPH Connector	1	88-08362L
5	Cable – TPH Connector A	1	88-08361L
6	Cover Hinge (Assy)	1	88-09570
7	Cover Top	1	88-09572
8	Knife Blade - Fixed	1	88-08509
9	Label-Epic 880	1	88-08749
10	Latch-Shaft	1	88-08552
11	Plate-Head Cover	1	88-09880
12	Print Head (Heatsink Assy)	1	88-08587
13	Ring-Retaining	2	520-9800002
14	Ring-Retaining	2	520-9800003
15	Screw-#4 Plastic Thread Forming	4	98-7608
16	Screw-M3x6mm Sems PHD PHPS	4	98-02215
17	Spring-Compression (Printhead)	2	43-08710
18	Spring-Flat Latch (Cover)	1	88-10863

For online parts orders visit www.compodis.com

Printer Mechanism Bottom Assembly (88-08592)
in assembly 88-88000

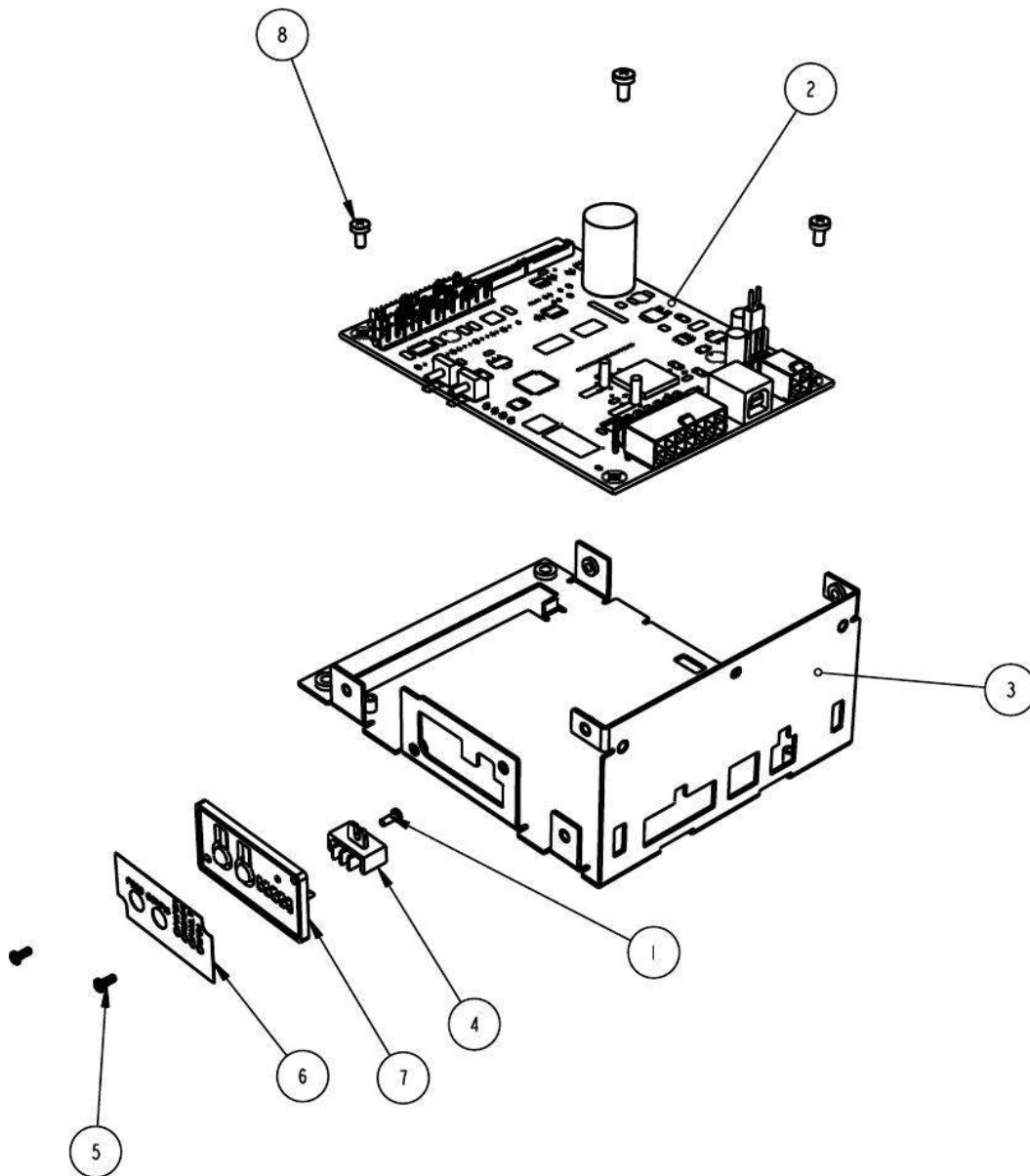


88-08592 BOM *in assembly 88-88000*

No.	Description (standard parts)	QTY.	Part No. (History)
1	6-20 Screw #2 Phil	1	98-04160
2	Assy – Carriage Lift Motor	1	88-08365L
3	Assy – Sensor (Top of Form)	1	88-08366L
4	Blade – Knife, Sliding	1	88-08508
5	Bracket Knife – Ground	1	88-09551
6	Bracket – Sensor Mount (Paper Out)	1	88-08524
7	Bushing – Validation Shaft	4	20-03152
8	Cable – Cover (Open Switch)	1	88-08888L
9	Cam Shaft (Assy) Knife	1	88-09566
10	E-Ring .051 Dia.	3	98-6083
11	Gear – 26T/48P	1	88-08555
12	Gear – 28T/48P	1	88-08557
13	Gear – Compound	1	12-05215
14	Gear – Compound 28T–48T/48P	1	88-08556
15	Harness – Paper Out Sensor	1	88-08370L
16	Knife Motor Mount (Assy)	1	88-09511
17	Motor Assy – Paper Feed	1	88-08363L
18	Nut – M3 Hex	2	98-0621
19	Paper Path	1	88-08521
20	Plate – Knife (Spring)	1	88-08577
21	Platen	1	88-08763
22	Right Side Plate – Assy	1	88-09509
23	Ring – Retaining	4	520-9800002
24	Ring – Retaining	4	520-9800003
25	Screw - #4 Plastic Thread Forming	2	98-7608
26	Screw – M2.6 X 4mm PHPS PHD	1	98-1182
27	Screw – M2 X 8	1	M068306-01
28	Screw – M3 X 6mm SEMS PHD PHPS	4	98-02215
29	Sensor – Interruptive (Home)	1	88-08360L
30	Shaft – Drive	1	88-08514
31	Side – Plate (Left) Assy	1	88-09510
32	Slider – Knife (Blade)	1	88-08576
33	Spring – Compression (Printhead)	2	43-08710
34	Spring – Knife Return	2	88-08600
35	Stripper – Platen	1	88-08572
36	Washer – Spring	1	98-09882

For online parts orders visit www.compodis.com

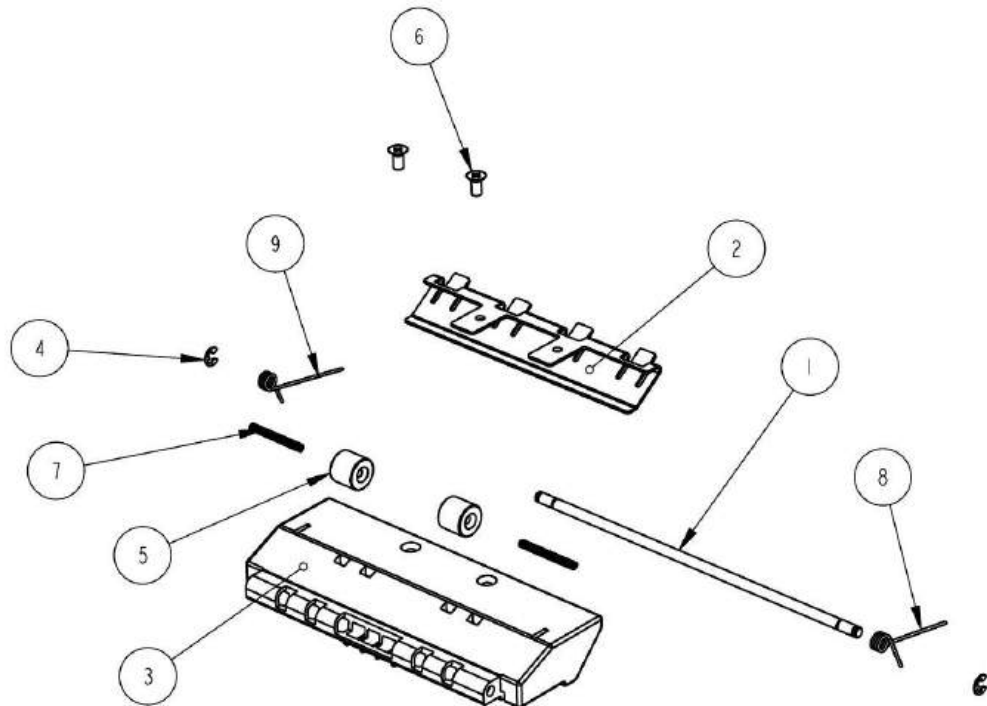
Base Plate Assembly (88-08715) in assembly 88-88000



No.	Description (standard parts)	QTY.	Part No. (History)
1	2-32 x 1/4 Pan Hd Plastite Hi-Lo	1	98-02592
2	Assy - Epic Controller Board	1	88-10601L (88-08916L)
3	Assy Base Plate	1	88-10176
4	Baffle - Lightpipe	1	88-08714
5	M2 x 5mm, Phillips Pan Head	2	98-1574
6	Overlay-Control Panel	1	88-08713
7	Panel-Control	1	88-08712
8	Screw-M3x6mm Phps Phd	3	98-0611

For online parts orders visit www.compodis.com

Assembly - Deck (88-08767) in assembly 88-88000

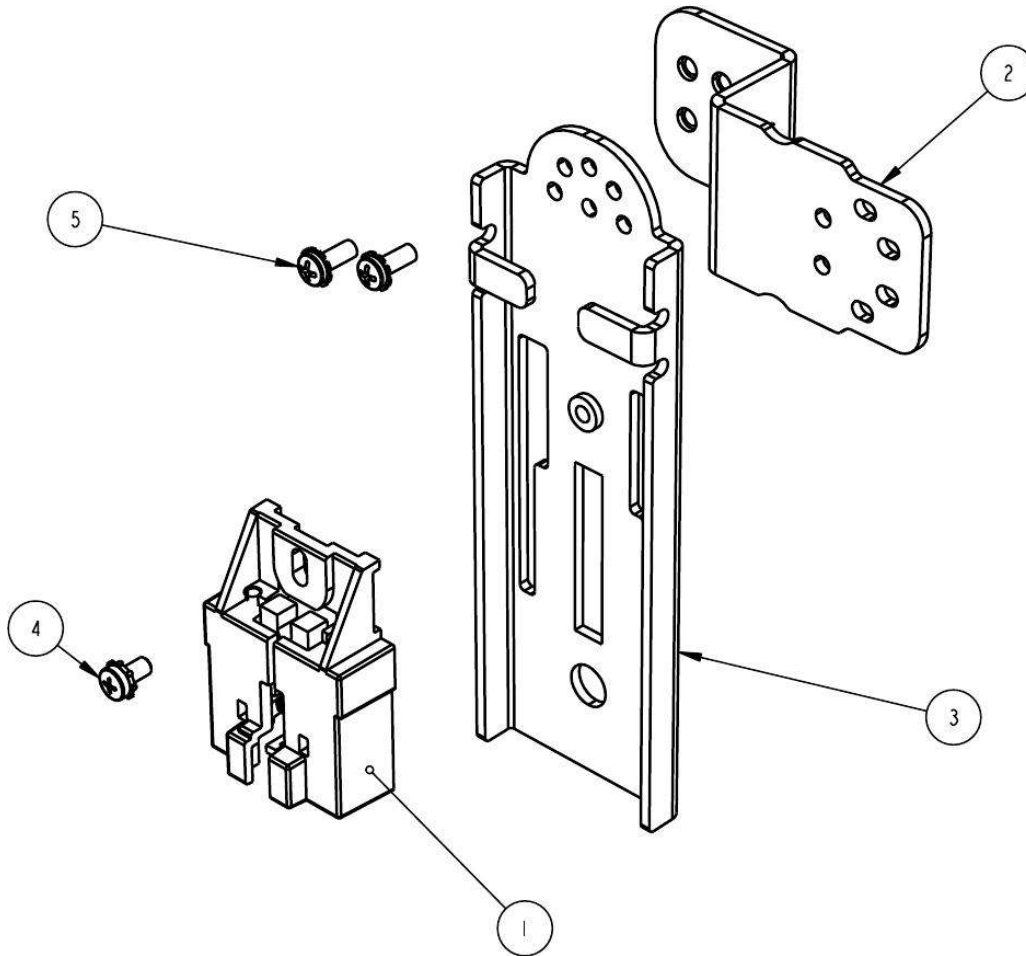


No.	Description (standard parts)	QTY.	Part No. (History)
1	Assy-Drive Shaft	1	88-09670
2	Bracket-Paper Guide	1	88-10841 (88-08840)
3	Paper Guide- Upper	1	88-10042
4	Ring - Retaining	2	520-9800002
5	Roller-Transport	2	88-08773
6	Screw-#6-32 x 1/4" Flat Hd Machine	2	98-02219
7	Spring - Roller Axle	2	98-08954
8	Spring-Torsion, LHW (Latch Arm)	1	88-08811
9	Spring-Torsion, RHW (Latch Arm)	1	88-08812

For online parts orders visit www.compodis.com

Paper Spindle Assembly (88-08724)

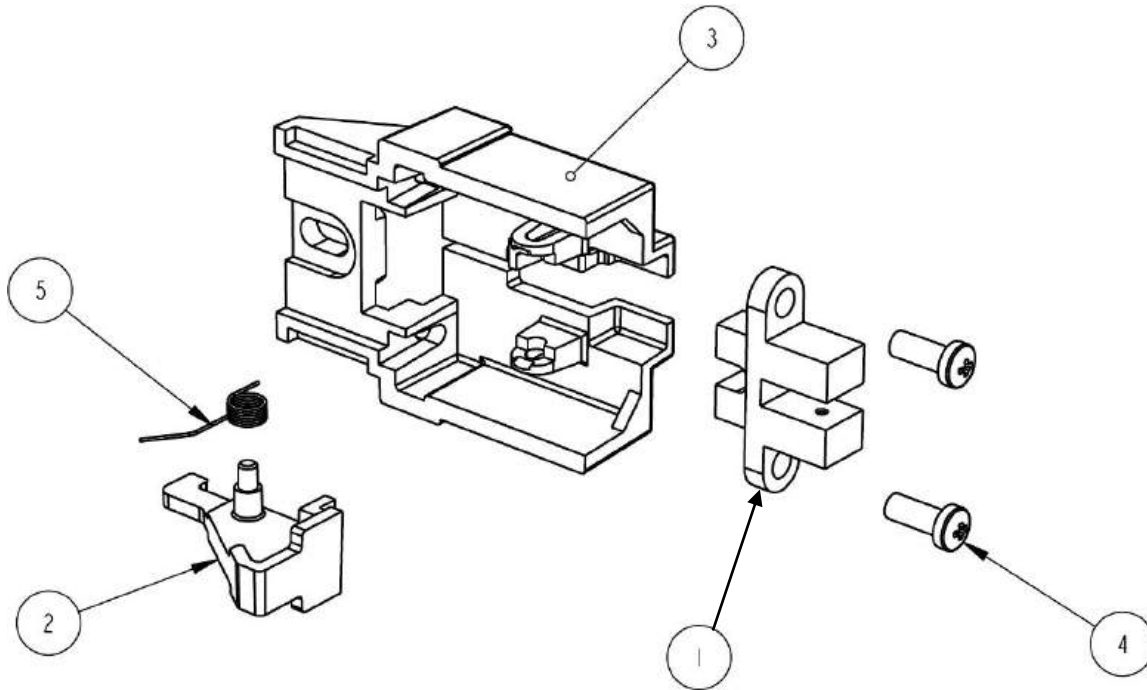
in assembly 88-88000



No.	Description (standard parts)	QTY.	Part No. (History)
1	Assy-Paper Low (Spindle)	1	88-09079
2	Bracket-Paper Spindle Mount	1	88-08722
3	Bracket Assy-Paper (Six-inch-dia)	1	88-08733
4	Screw-M3 x 6mm Sems PHD PHPS	1	98-02215
5	Screw-M3 x 8mm Sems PHD PHPS	2	98-08994

For online parts orders visit www.compodis.com

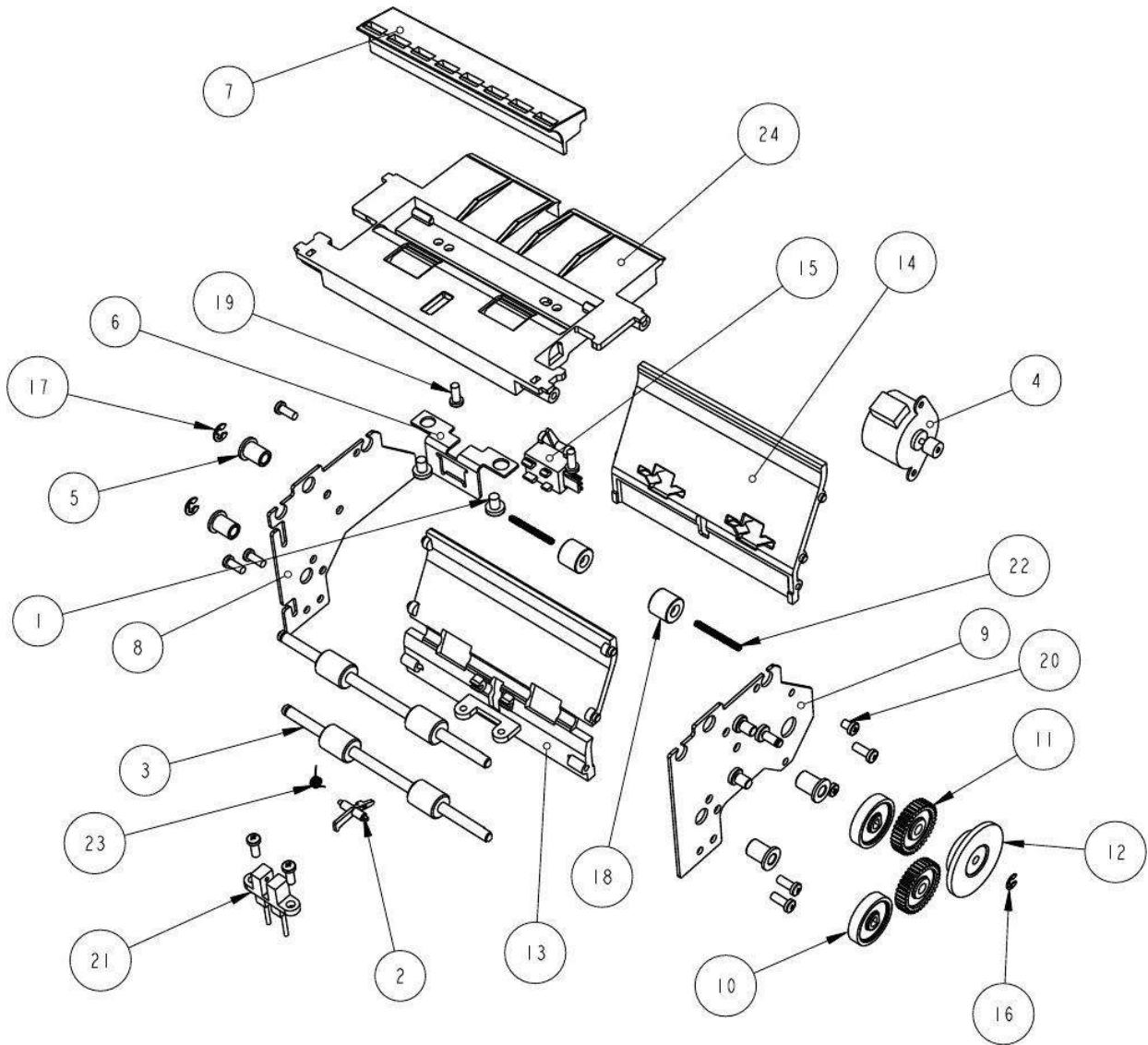
Paper Low Assembly (88-09079) in assembly 88-88000



No.	Description (standard parts)	QTY.	Part No. (History)
1	Assy-Paper Sensor	1	88-08368L
2	Flag-Paper Low (Spindle)	1	43-06640
3	Mount-Paper Low (Spindle)	1	43-06639
4	Screw-No. 4 Plastic Thread Forming	2	98-7608
5	Spring-Paper Low (Spindle)	1	43-06641

For online parts orders visit www.compodis.com

Transport Assembly (88-09607) in assembly 88-88000

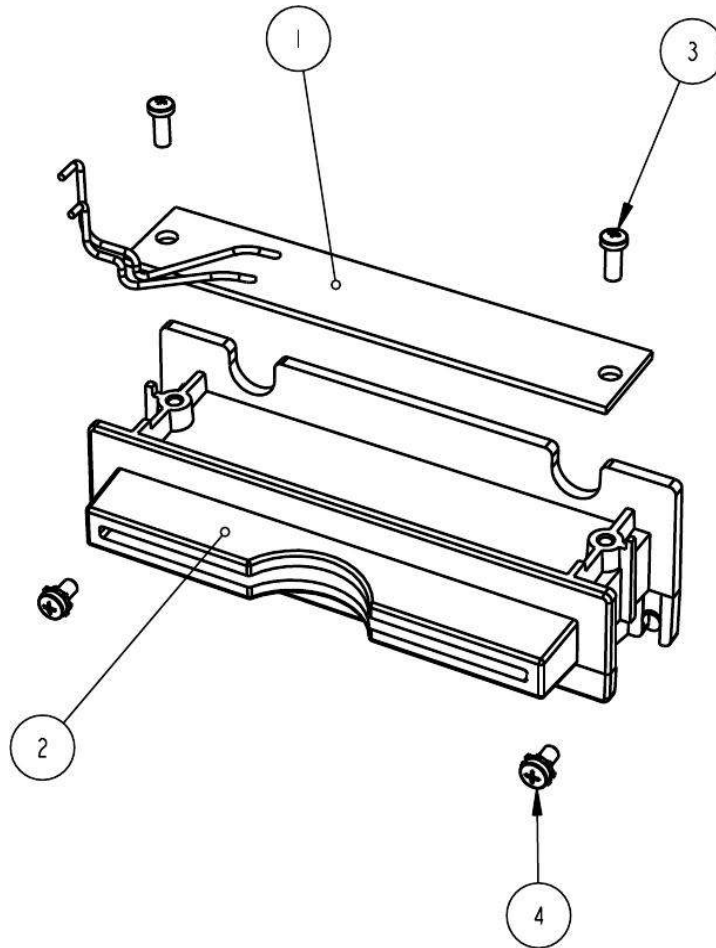


88-09607 BOM in assembly 88-88000

No.	Description (standard parts)	QTY.	Part No. (History)
1	6-20 Screw, #2 Phil.	2	98-04160
2	Arm-Switch	1	88-08830
3	Assy-Drive Shaft	2	88-09400
4	Assy-Motor	1	88-08364L
5	Bearing-Platen	4	95-04963
6	Bracket-Sensor Mount (Paper Out)	1	88-08772
7	Diverter Gate - Retract	1	88-08828
8	Frame-Left (Transport)	1	88-09577
9	Frame-Right (Transport)	1	88-09574
10	Gear-36 Tooth	2	95-06326
11	Gear-36T/48P	2	88-08775
12	Gear-54/32 Tooth	1	95-04936
13	Guide-Retract (Front)	1	88-08821
14	Guide-Retract (Rear)	1	88-08820
15	Harness-Paper Out Sensor	1	88-08371L
16	Ring-Retaining	1	520-9800002
17	Ring-Retaining	2	520-9800003
18	Roller-Transport	2	88-08773
19	Screw-#4 Plastic Thread Forming	10	98-7608
20	Screw-M2.6x4mm PHPS PHD	2	98-1182
21	Sensor-Interruptive (Home)	1	88-08369L
22	Spring – Roller Axle	2	98-08954
23	Spring-Torsion, RHW (Latch Arm)	1	88-08831
24	Transport - Deck	1	88-09573

For online parts orders visit www.compodis.com

Bezel Assembly (88-08735) in assembly 88-88000



No.	Description (standard parts)	QTY.	Part No. (History)
1	Assy-Blue Bezel Board	1	88-08891L
2	Bezel	1	43-06312
3	Screw-No. 4 Plastic Thread Forming	2	98-7608
4	Screw-M3x6mm Sems Phps Phd	2	98-02215

For online parts orders visit www.compodis.com